



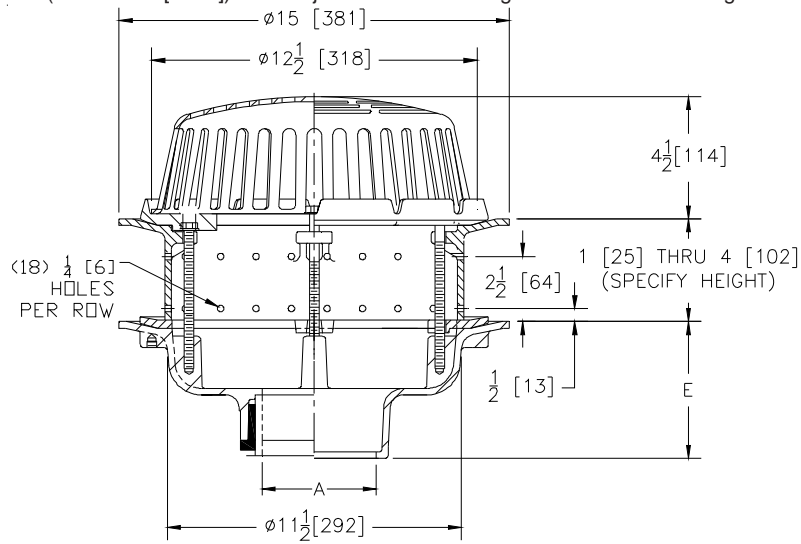
Z100-298

15 [381] DIAMETER MAIN ROOF DRAIN W/PERFORATED STATIC EXTENSION

SPECIFICATION SHEET

TAG _____

Dimensional Data (inches and [mm]) are Subject to Manufacturing Tolerances and Change Without Notice



A - Pipe Size In. [mm]	Approx. Wt. Lbs. [kg]	Dome Open Area Sq. in. [cm ²]
2,3,4 [51,76,102]	44 [20]	103 [665]
6 [152]	45 [20]	
8 [203]	46 [20]	

ENGINEERING SPECIFICATION: ZURN Z100-298

15" [381mm] Diameter roof drain. Dura-Coated cast iron body with combination membrane flashing clamp/gravel guard, static extension with (2) rows of 1/4" [6mm] diameter holes, secondary clamp collar, low silhouette Poly-Dome.

OPTIONS (Check/specify appropriate options)

PIPE SIZE (Specify size)

- 3,4, 6 [76,102,152]
- 2,3,4,6,8 [51,76,102,152,203]
- 2,3,4,6,8 [51,76,102,152,203]
- 2,3,4 [51,76,102]
- 6 [152]

(Specify size/type) OUTLET

- _____ IC Inside Caulk
- _____ IP Threaded
- _____ NH No-Hub
- _____ NL Neo-Loc
- _____ NL Neo-Loc

'E' BODY HT. DIM.

- 5-1/4 [133]
- 3-3/4 [95]
- 5-1/4 [133]
- 4-9/16 [116]
- 5-7/16 [112]

PREFIXES

- _____ Z D.C.C.I. Body with Poly-Dome*
- _____ ZA D.C.C.I. Body with Aluminum Dome
- _____ ZC D.C.C.I. Body with Cast Iron Dome
- _____ ZRB D.C.C.I. Body with Plain Bronze Dome

SUFFIXES

- | | |
|---|--|
| _____ -AC Angular Underdeck Clamp | _____ -HD 6-3/4 [171] High Aluminum Dome Strainer (148 Sq. In. [955 cm ²] Open Area) (ZA Only) |
| _____ -AR Acid Resistant Epoxy Coated | _____ -R Roof Sump Receiver |
| _____ -AW 3/4 [19] to 4 [102] Adjustable Water Level Regulator (Specify Height) (ZC Only) | _____ -SS Stainless Steel Mesh Screen Over Dome |
| _____ -C Underdeck Clamp | _____ -ST Dome with Solid Top (ZA, ZC & ZRB Only) |
| _____ -DE Deck Extension | _____ -TC Neo-Loc Test Cap Gasket (2,3,4 [51,76,102] NL Bottom Outlet Only) |
| _____ -DP Top-Set® Deck Plate (Replaces both the -C and -R) | _____ -VP Vandal-Proof Secured Top |
| _____ -DR Top-Set® Drain Riser | _____ -W2 2 [51] Internal Water Dam |
| _____ -EA Adjustable Extension Assembly | _____ -W3 3 [76] Internal Water Dam |
| _____ -EB Top-Set® Adjustable Extension Assembly | _____ -W4 4 [102] Internal Water Dam |
| _____ -FG Flush Grate (Replaces Dome Strainer) | _____ -84 Stainless Steel Perforated Gravel Guard |
| _____ -G Galvanized Cast Iron | _____ -89 2 [51] High External Water Dam |
| | _____ -90 90° Threaded Side Outlet Body (2,3,4,5,6 [51,76,102,127,152]) |

* Regularly furnished unless otherwise specified.