



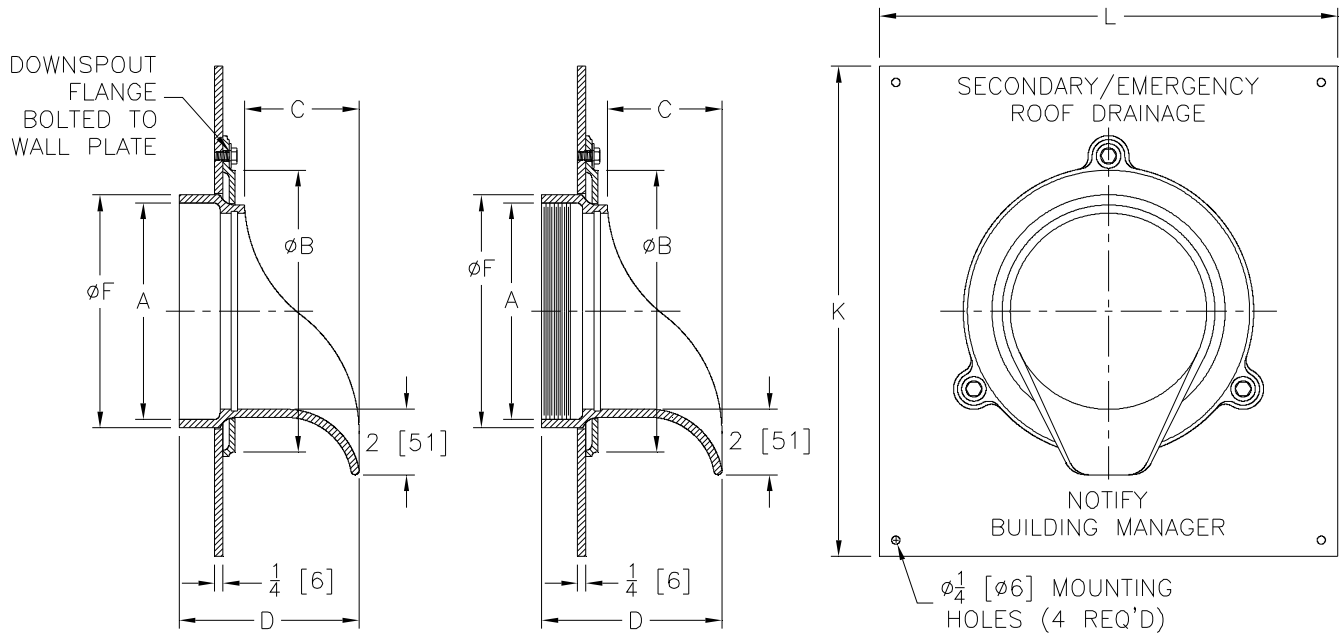
Z199-86

DOWNSPOUT NOZZLE WITH CUSTOM WALL PLATE

SPECIFICATION SHEET

TAG _____

Dimensional Data (inches and [mm]) are Subject to Manufacturing Tolerances and Change Without Notice



A Pipe Size	Dimensions in Inches								Approx. Wt. Lbs. [kg]
	B	C	D		F		K	L	
			IP	NH	IP	NH			
3 [76]	5-1/2 [140]	2-5/8 [67]	4-1/2 [114]	4-1/2 [114]	4 [102]	3-3/8 [86]	12 [305]	11 [280]	9 [4]
4 [102]	6-5/8 [168]	2-43/64 [68]	4-1/2 [114]	4-1/2 [114]	5 [127]	4-3/8 [111]	12 [305]	12 [305]	10 [5]
6 [152]	8-5/8 [219]	3-3/32 [79]	4-59/64 [125]	5-15/32 [139]	7-1/8 [151]	6-5/16 [160]	15 [381]	14 [355]	16 [7]
8 [203]	10 5/8 [270]	2-31/32 [75]	4-59/64 [125]	5-25/32 [147]	9-1/8 [232]	8-3/8 [213]	16 [406]	16 [406]	19 [9]
10 [254]	12-5/8 [321]	3-1/2 [89]	5-53/64 [148]	6-5/16 [160]	11-5/32 [283]	10-9/16 [268]	18 [457]	18 [457]	24 [11]
12 [305]	14-5/8 [371]	4-5/64 [104]	6-13/32 [163]	6-57/64 [175]	13-5/32 [334]	12-1/2 [318]	20 [508]	20 [508]	28 [13]

ENGINEERING SPECIFICATION: ZURN ZANB199-86

Downspout Nozzle, All nickel bronze body, optional threaded or no-hub inlet, decorative face of wall flange and outlet nozzle with 1/4" [6 mm] thick stainless steel type 304 custom wall flange.

OPTIONS (Check/specify appropriate options)

PIPE SIZE

3, 4, 6, 8, 10, 12 [76, 102, 152, 203, 254, 305]
 3, 4, 6, 8, 10, 12 [76, 102, 152, 203, 254, 305]

(Specify size/type) **OUTLET**

___ IP Threaded
 ___ NH No-Hub

PREFIXES

___ ZANB All Nickel Bronze Body*
 ___ ZAB All Polished Bronze Body
 ___ ZARB All Plain Bronze Body

SUFFIXES

___ -PVC PVC Connection
 ___ -SS Removable Stainless Screen

* Regularly furnished unless otherwise specified.