

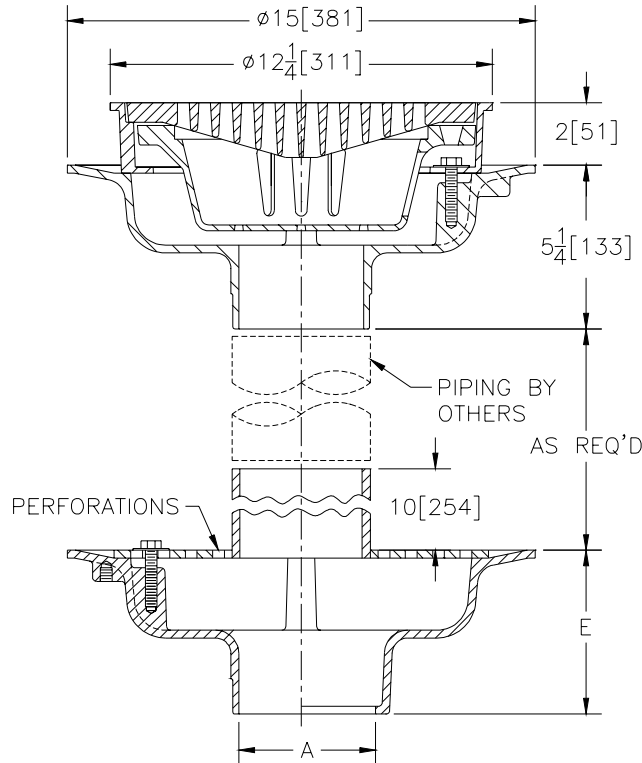


Z-624-78 ISOLATION DECK DRAIN

SPECIFICATION SHEET

TAG _____

Dimensional Data (inches and [mm]) are Subject to Manufacturing Tolerances and Change Without Notice



A- Pipe Size In.	Approx. Wt. Lbs. [kg]	Grate Open Area Sq. In. [cm ²]
2-3-4 [50-75-100]	85 [39]	29 [187]
5-6 [125-150]		

ENGINEERING SPECIFICATION: ZURN Z-624-78 Dura-Coated cast iron upper and lower bodies. Lower body perforated clamp collar with No-Hub standpipe. Upper body with No-Hub bottom outlet, seepage pan and combination flashing clamp and frame for heavy duty ductile iron grate with suspended sediment bucket.

OPTIONS (Check/specify appropriate options)

OUTLET (Specify type)

- _____ **IC** Inside Caulk
- _____ **IG** Inside Caulk w/Sealtrol Gskt.
- _____ **IP** Threaded
- _____ **NH** No-Hub
- _____ **NL** Neo-Loc
- _____ **NL** Neo-Loc

PIPE SIZE (Specify size)

- _____ 2 thru 6 [50 thru 150]
- _____ 2, 3, 4, 6 [50, 75, 100, 150]
- _____ 2 thru 6 [50 thru 150]
- _____ 2 thru 6 [50 thru 150]
- _____ 2 thru 6 [50 thru 150]
- _____ 5, 6 [125, 150]

'E' BODY HT. DIMENSION

- _____ 5-1/4 [133]
- _____ 5-1/4 [133]
- _____ 3-3/4 [95]
- _____ 5-1/4 [133]
- _____ 4-5/8 [117]
- _____ 5-1/2 [140]

PREFIXES

- _____ **Z-** D.C.C.I. Body and Grate*
- _____ **ZB-** D.C.C.I. Body with Polished Bronze Grate (Add 3/16 [5] to 2 [51] Dim.)
- _____ **ZN-** D.C.C.I. Body with Polished Nickel Bronze Grate (Add 3/16 [5] to 2 [51] Dim.)

SUFFIXES

- _____ **-C** Underdeck Clamp (Lower Body)
- _____ **-DX** Dex-o-tex Flange (Upper Body)
- _____ **-G** Galvanized Cast Iron
- _____ **-R** Sump Receiver (Lower Body)
- _____ **-VP** Vandal Proof Secured Top

REV.	DATE: 6/8/98	C.N. NO. 80663
DWG. NO. P-14631 PRODUCT NO. Z-624-78		

*REGULARLY FURNISHED UNLESS OTHERWISE SPECIFIED