



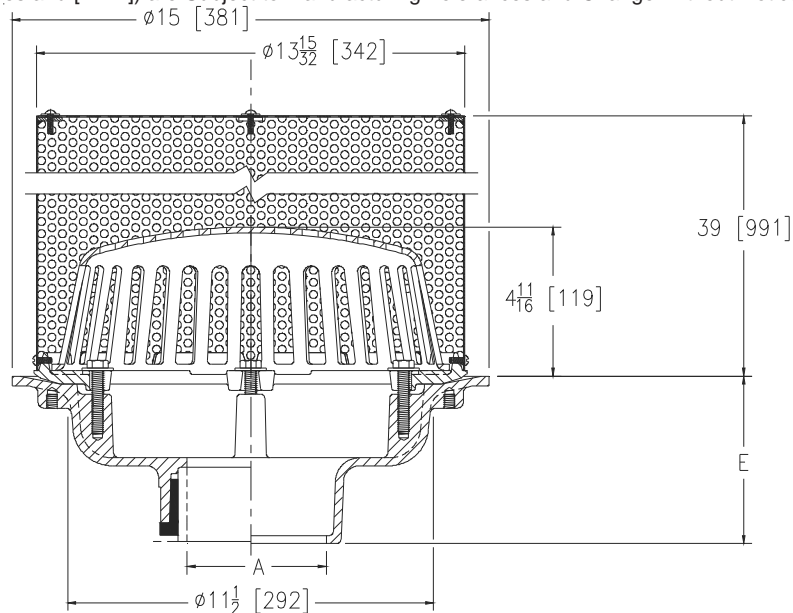
# Z110-75

## Ø15 [381] MAIN GREEN ROOF DRAIN W/ PERFORATED SCREEN ASS'Y, & REMOVABLE COVER

SPECIFICATION SHEET

TAG \_\_\_\_\_

Dimensional Data (inches and [ mm ]) are Subject to Manufacturing Tolerances and Change Without Notice



A in [mm]	Approx. Wt. Lbs.	Dome Open Area sq. in [sq. mm]
2,3,4 [51,76,102]	30 [14]	103 [665]
5,6 [127,152]	32 [15]	
8 [203]	33 [15]	

### ENGINEERING SPECIFICATION: ZURN Z110-75

Ø15" [381mm] Green Roof Drain. Dura-Coated cast iron body with combination membrane flashing clamp/gravel guard and low silhouette Poly-Dome. Complete with secured type 304 (CF8) stainless steel perforated screen assembly, 39" [991] high with secured removable access cover.

### OPTIONS (Check/specify appropriate options)

#### PIPE SIZE

- 2,3,4,5,6,8 [51,76,102,127,152,203]
- 2,3,4,5,6,8 [51,76,102,127,152,203]
- 2,3,4,5,6,8 [51,76,102,127,152,203]
- 2,3,4 [51,76,102]
- 6 [152]

#### (Specify size/type) OUTLET

- \_\_\_\_\_ IC Inside Caulk
- \_\_\_\_\_ IP Threaded
- \_\_\_\_\_ NH No-Hub
- \_\_\_\_\_ NL Neo-Loc
- \_\_\_\_\_ NL Neo-Loc

#### E BODY HT. DIM.

- 5-1/4 [133]
- 3-3/4 [95]
- 5-1/4 [133]
- 4-9/16 [116]
- 5-7/16 [112]

#### PREFIXES

- \_\_\_\_\_ Z D.C.C.I. Body with Poly-Dome\*
- \_\_\_\_\_ ZA D.C.C.I. Body with Aluminum Dome
- \_\_\_\_\_ ZC D.C.C.I. Body with Cast Iron Dome
- \_\_\_\_\_ ZRB D.C.C.I. Body with Plain Bronze Dome

#### SUFFIXES

- |  |   |
|--|---|
| _____ -AC Angular Underdeck Clamp                                  | _____ -PS Perforated Screen 6 [152] thru 18 [457] (Specify Height Required) |
| _____ -AR Acid Resistant Epoxy Coated                              | _____ -R Roof Sump Receiver   |
| _____ -C Underdeck Clamp   | _____ -SC Secondary Clamp Collar  |
| _____ -DE Deck Extension   | _____ -ST Dome with Solid Top (ZA, ZC & ZRB Only)                           |
| _____ -DP Top-Set® Deck Plate (Replaces both the -C and -R)        | _____ -TC Neo-Loc Test Cap Gasket (2 - 4 [51 - 102] NL Bottom Outlet Only)  |
| _____ -DR Top-Set® Drain Riser                                     | _____ -VP Vandal-Proof Secured Screen Cover                                 |
| _____ -DX Dex-o-tex Flange   | _____ -W2 2 [51] Internal Water Dam   |
| _____ -E Static Extension 1 [25] thru 4 [102] (Specify Ht.)        | _____ -W3 3 [76] Internal Water Dam   |
| _____ -EA Adjustable Extension Assembly 2-1/8 [54] thru 3-1/2 [89] | _____ -W4 4 [102] Internal Water Dam  |
| _____ -EB Top-Set® Adjustable Extension Assembly                   | _____ -85 Stainless Steel Perforated Extension                              |
| _____ -FG Flush Grate (Replaces Dome Strainer)                     | _____ -90 90° Threaded Side Outlet Body (2 thru 6 [51 or 152])              |
| _____ -G Galvanized Cast Iron                                      |   |
| _____ -GD Galvanized Cast Iron Dome (ZC Only)                      |   |

\* Regularly furnished unless otherwise specified.