

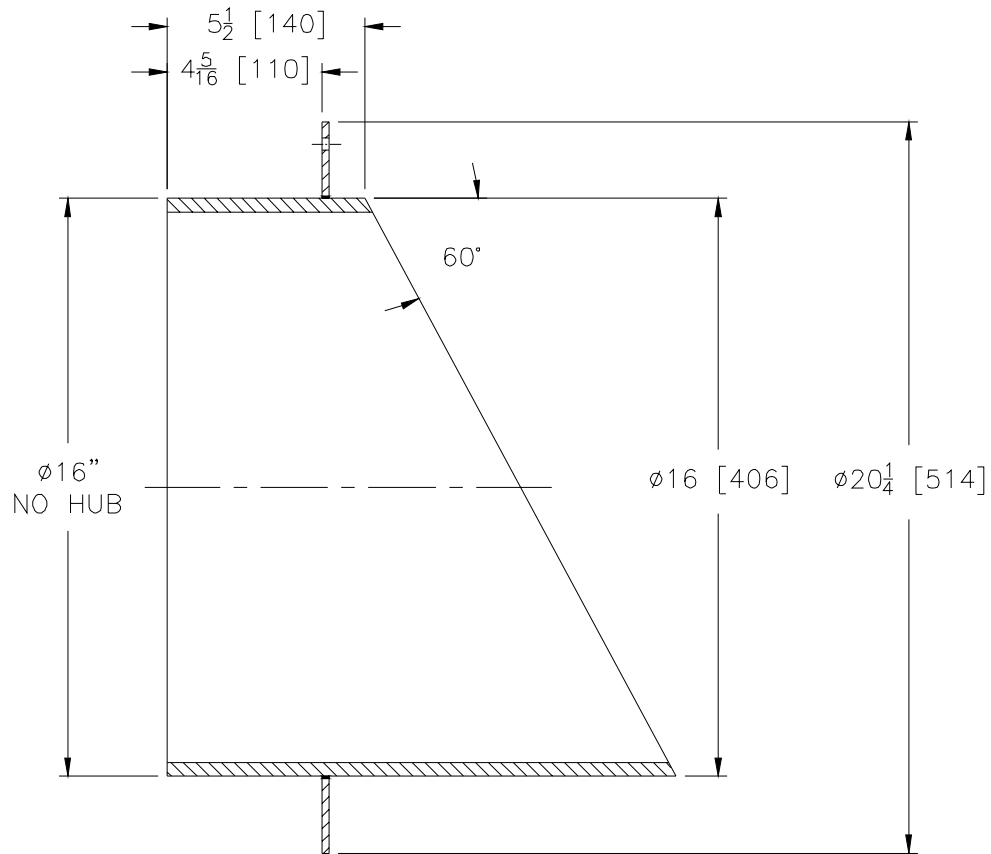


Z199-83 DOWNSPOUT NOZZLE

SPECIFICATION SHEET

TAG _____

Dimensional Data (inches and [mm]) are Subject to Manufacturing Tolerances and Change Without Notice



ENGINEERING SPECIFICATION: ZURN Z199-83 16 [406] Downspout Nozzle, Acid Resistant Coated fabricated steel body and wall flange.

*REGULARLY FURNISHED UNLESS OTHERWISE SPECIFIED

REV.	DATE: 4/13/05	C.N. NO. 93229
DWG. NO. P-15139	PRODUCT NO. Z199-83	