



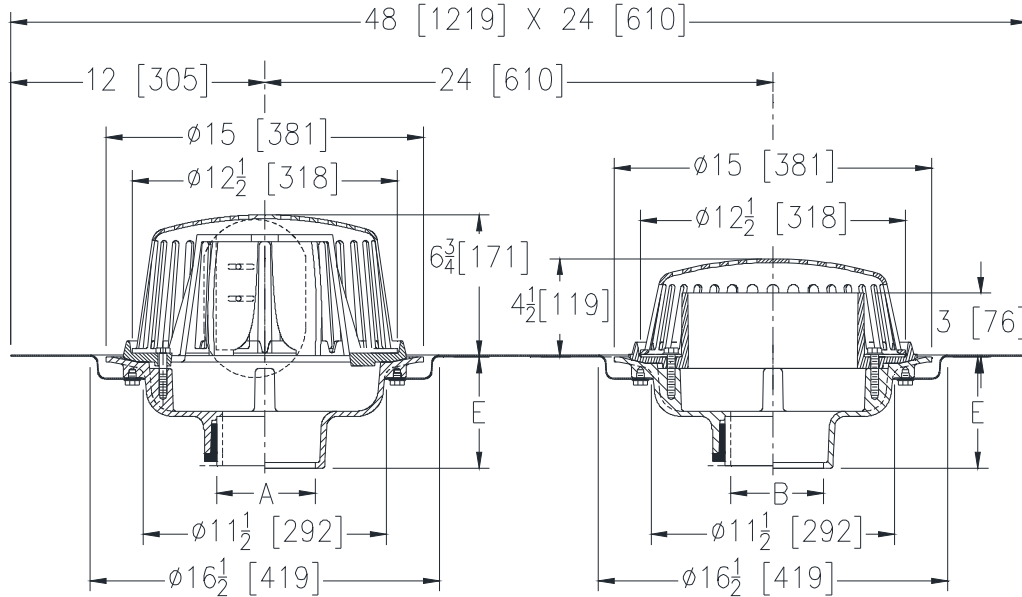
# Z163-87

15[381] DIAMETER COMBINATION CONTROL-FLO AND OVERFLOW DRAIN W/ DOUBLE TOP-SET® DECK PLATE, AND ADJUSTABLE PLATE ON WEIR

SPECIFICATION SHEET

TAG \_\_\_\_\_

Dimensional Data (inches and [ mm ]) are Subject to Manufacturing Tolerances and Change Without Notice



A Pipe Size In. [mm]	Approx. Wt. Lbs. [kg]	Dome Open Area Sq. In. [cm <sup>2</sup> ]
2,3,4 [51,76,102]	36 [16]	148 [954]
B Pipe Size In. [mm]	Approx. Wt. Lbs. [kg]	Dome Open Area Sq. In. [cm <sup>2</sup> ]
2,3,4 [51,76,102]	44 [20]	103 [665]
5,6 [127,152]	41 [19]	
8 [203]	44 [20]	

### ENGINEERING SPECIFICATION: ZURN Z163-78

15 [381] Diameter Control-Flo and overflow drain, Dura-Coated cast iron bodies, Control-Flo drain with adjustable notch in weir is linear functioning with integral membrane flashing clamp/gravel guard, combination membrane flashing clamp/gravel guard and aluminum dome. Overflow drain has internal water dam, integral membrane flashing clamp/gravel guard, Poly-Dome and double Top-Set® deck plate.

### OPTIONS (Check/specify appropriate options)

#### PIPE SIZE

- 2,3,4,5,6,8 [51,76,102,127,152,203]
- 2,3,4,5,6,8 [51,76,102,127,152,203]
- 2,3,4,5,6,8 [51,76,102,127,152,203]
- 2,3,4 [51,76,102]

#### (Specify size/type) OUTLET

- \_\_\_\_\_ IC Inside Caulk
- \_\_\_\_\_ IP Threaded
- \_\_\_\_\_ NH No-Hub
- \_\_\_\_\_ NL Neo-Loc

#### E BODY HT. DIM.

- 5-1/4 [133]
- 3-3/4 [95]
- 5-1/4 [133]
- 4-9/16 [116]

### PREFIXES

- \_\_\_ Z D.C.C.I. Body with Poly-Dome on overflow\*
- \_\_\_ ZA D.C.C.I. Body with Aluminum Dome on overflow
- \_\_\_ ZC D.C.C.I. Body with Cast Iron Dome on overflow
- \_\_\_ ZRB D.C.C.I. Body with Plain Bronze Dome on overflow

### SUFFIXES

- \_\_\_ -AR Acid Resistant Epoxy Coated Finish
- \_\_\_ -BS Bronze Mesh Screen Over Dome
- \_\_\_ -DR Top-Set® Drain Riser
- \_\_\_ -E Static Extension 1 thru 4 [25 thru 102] (Specify Ht.)
- \_\_\_ -EA Adjustable Extension Assembly 2-1/8 thru 3-1/2 [54 thru 89]
- \_\_\_ -G Galvanized Cast Iron
- \_\_\_ -GD Galvanized Cast Iron Dome
- \_\_\_ -HD 6-3/4 [171] High Aluminum Dome Strainer (148 sq. in. open area) (ZA only)
- \_\_\_ -SS Stainless Steel Mesh Screen Over Dome
- \_\_\_ -SC Secondary Clamping Collar
- \_\_\_ -TC Neo-Loc Test Cap Gasket (2,3,4 [51,76,102] NL Bottom Outlet Only)
- \_\_\_ -VP Vandal Proof Secured Top
- \_\_\_ -XJ Vertical Expansion Joint (See Z190)
- \_\_\_ -84 Stainless Steel Perforated Gravel Guard
- \_\_\_ -85 Stainless Steel Perforated Extension

\* Regularly furnished unless otherwise specified.