



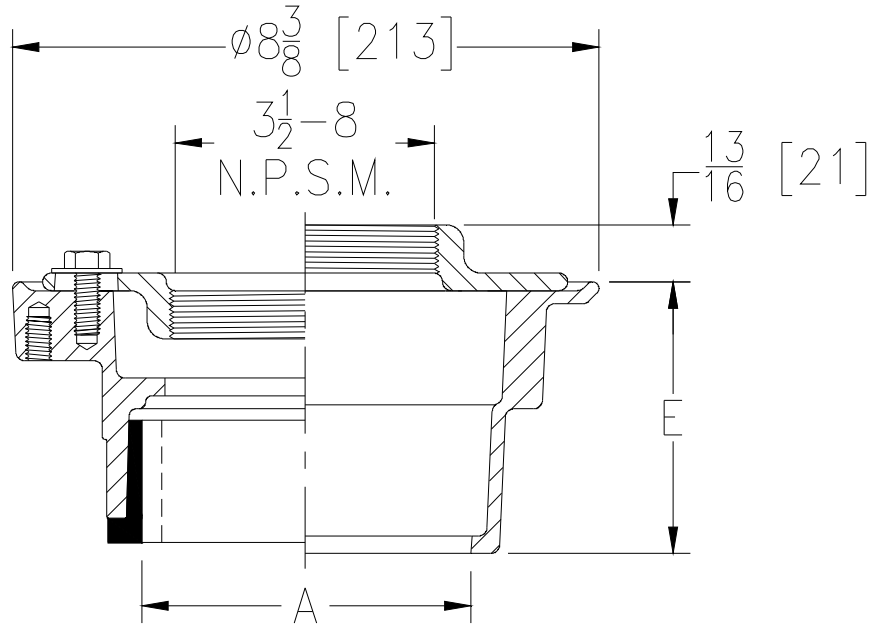
# Z415B-112

## BODY ASSEMBLY (LESS) "TYPE B" STRAINER

SPECIFICATION SHEET

TAG \_\_\_\_\_

Dimensional Data (inches and [ mm ]) are Subject to Manufacturing Tolerances and Change Without Notice



Dimensions In Inches	
A Pipe Size	Approx. Wt. Lbs. [kg]
2-3-4 [51-76-102]	8 [4]
6 [152]	13 [9]

**ENGINEERING SPECIFICATION: ZURN Z415B-112**

Floor and shower drain, Dura-Coated cast iron body with bottom outlet with combination invertible membrane clamp with seepage slots (Less) "TYPE B" Strainer.

**OPTIONS** (Check/specify appropriate options)

**PIPE SIZE**

- 2 thru 4 [51 thru 102]
- 2 thru 4 [51 thru 102]
- 2 [51]
- 3 [76]
- 4 [102]
- 6 [152]
- 2 thru 4 [51 thru 102]
- 2 thru 4 [51 thru 102]

(Specify size/type) **OUTLET**

- \_\_\_\_\_ IC Inside Caulk
- \_\_\_\_\_ IG Inside Gasket
- \_\_\_\_\_ IP Threaded
- \_\_\_\_\_ IP Threaded
- \_\_\_\_\_ IP Threaded
- \_\_\_\_\_ IP Threaded
- \_\_\_\_\_ NH No-Hub
- \_\_\_\_\_ NL Neo-Loc

**'E' BODY HT. DIM.**

- 3 7/8 [98]
- 3 7/8 [98]
- 2 3/8 [60]
- 2 5/8 [67]
- 2 7/8 [73]
- 2 3/4 [70]
- 3 7/8 [98]
- 3 3/4 [95]

**PREFIXES**

- \_\_\_ Z D.C.C.I. Body Assembly

**SUFFIXES**

- \_\_\_ -AR Acid Resisting Epoxy Coated Cast Iron
- \_\_\_ -G Galvanized Cast Iron
- \_\_\_ -P Trap Primer Connection (Specify 1/2 [13] or 3/4 [19])
- \_\_\_ -SA Z1035 Stabilizer Assembly (NH & NL Outlets only)
- \_\_\_ -SQ Z1035-Q Stabilizer Assembly (NH & NL Outlets only)
- \_\_\_ -SR Stabilizer Ring
- \_\_\_ -TC Neo-Loc Test Cap Gasket (2-4 [51-102] NL Outlet Only)
- \_\_\_ -U 1 - 3 [25 - 76] High Extension Adapter
- \_\_\_ -18 Leveling Ring (See Z400-18)
- \_\_\_ -90 90° Threaded Side Outlet Body Assembly (2 [51], 3 [76] Only)

REV.	DATE: 1/8/10	C.N. NO. 110581
DWG. NO. P-15828		PRODUCT NO. Z415B-112

\*REGULARLY FURNISHED UNLESS OTHERWISE SPECIFIED

ZURN INDUSTRIES, LLC ♦ SPECIFICATION DRAINAGE OPERATION ♦ 1801 Pittsburgh Ave. ♦ Erie, PA 16514  
Phone: 814/455-0921 ♦ Fax: 814/454-7929 ♦ World Wide Web: www.zurn.com

In Canada: ZURN INDUSTRIES LIMITED ♦ 3544 Nashua Drive ♦ Mississauga, Ontario L4V1L2 ♦ Phone: 905/405-8272 Fax: 905/405-1292