



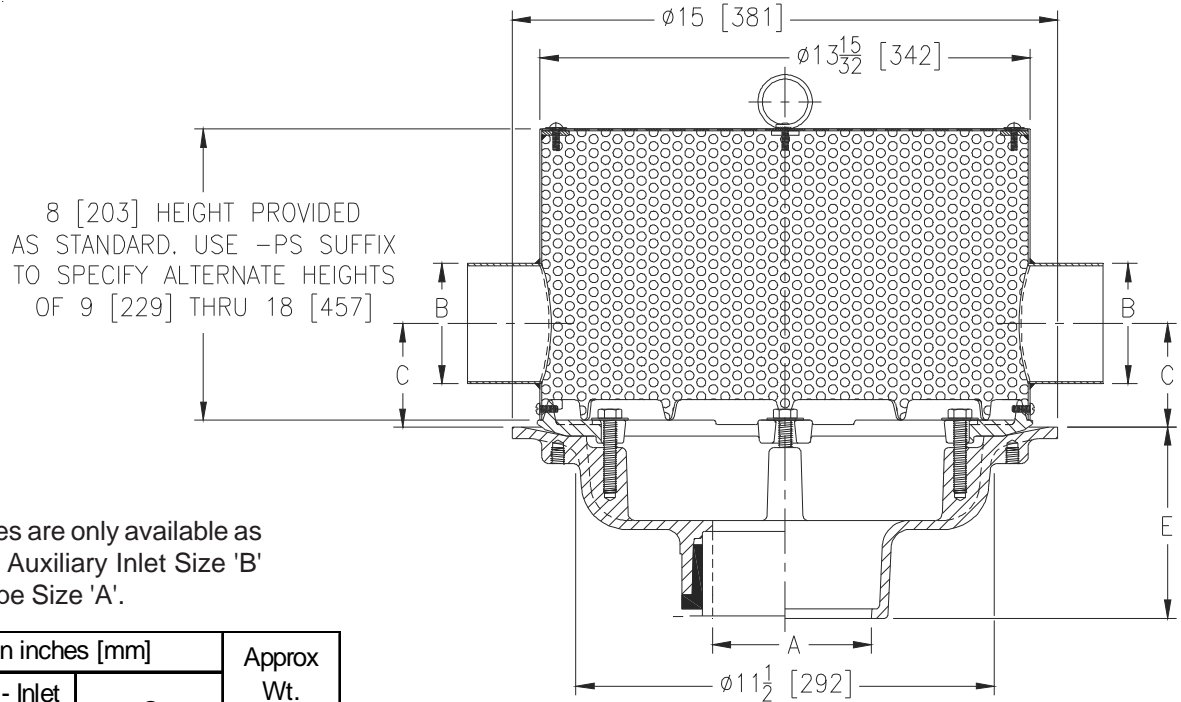
# Z110-AI-80

15 [381] DIAMETER MAIN GREEN ROOF DRAIN  
W/ PERFORATED SCREEN ASSEMBLY, REMOVABLE  
COVER W/ LIFT HANDLE, AND DUAL AUXILIARY INLETS

SPECIFICATION SHEET

TAG \_\_\_\_\_

Dimensional Data (inches and [ mm ]) are Subject to Manufacturing Tolerances and Change Without Notice



**Note:**

Auxiliary Inlet sizes are only available as configured below. Auxiliary Inlet Size 'B' cannot exceed Pipe Size 'A'.

| Dimensions in inches [mm] |                        |              | Approx Wt.<br>lbs [kg] |
|---------------------------|------------------------|--------------|------------------------|
| A - Outlet<br>Pipe Size   | B - Inlet<br>Pipe Size | C            |                        |
| 2 [51]                    | 2 [51]                 | 2-11/32 [60] | 32 [15]                |
| 3 [76]                    | 2 [51]                 | 2-11/32 [60] | 33 [15]                |
|                           | 3 [76]                 | 2-27/32 [72] |                        |
| 4,6,8<br>[102,152,203]    | 2 [51]                 | 2-11/32 [60] | 34 [16]                |
|                           | 3 [76]                 | 2-27/32 [72] |                        |
|                           | 4 [102]                | 3-3/8 [86]   |                        |

**ENGINEERING SPECIFICATION: ZURN Z110-AI**

15" [381mm] Green Roof Drain. Dura-Coated cast iron body with combination membrane flashing and clamp/gravel guard. Complete with secured type 304 (CF8) stainless steel perforated screen assembly with secured removable access cover with lift handle and dual auxiliary No-Hub inlet connections.

**OPTIONS** (Check/specify appropriate options)  
**PIPE SIZE**

- 3,4,6 [76,102,152]
- 2,3,4,6,8 [51,76,102,152,203]
- 2,3,4,6,8 [51,76,102,152,203]
- 2,3,4 [51,76,102]
- 6 [152]

(Specify size/type) **OUTLET**

- \_\_\_\_\_ IC Inside Caulk
- \_\_\_\_\_ IP Threaded
- \_\_\_\_\_ NH No-Hub
- \_\_\_\_\_ NL Neo-Loc
- \_\_\_\_\_ NL Neo-Loc

**E BODY HT. DIM.**

- 5-1/4 [133]
- 3-3/4 [95]
- 5-1/4 [133]
- 4-5/8 [117]
- 5-7/16 [138]

**PREFIXES**

- \_\_\_\_\_ Z110-AI2-80 D.C.C.I. Body with dual 2[51] Auxiliary Inlet.
- \_\_\_\_\_ Z110-AI3-80 D.C.C.I. Body with dual 3[76] Auxiliary Inlet.
- \_\_\_\_\_ Z110-AI4-80 D.C.C.I. Body with dual 4[102] Auxiliary Inlet.

**SUFFIXES**

- \_\_\_\_\_ -AC Angular Underdeck Clamp
- \_\_\_\_\_ -AR Acid Resistant Epoxy Coated
- \_\_\_\_\_ -C Underdeck Clamp
- \_\_\_\_\_ -DE Deck Extension (Includes Deck Plate -DP)
- \_\_\_\_\_ -DP Top-Set® Roof Deck Plate (Replaces both -C and -R)
- \_\_\_\_\_ -DR Top-Set® Drain Riser
- \_\_\_\_\_ -E Static Extension 1 [25] thru 4 [102] (Specify Ht.)
- \_\_\_\_\_ -EA Adjustable Extension Assembly 2-1/8 [54] thru 3-1/2 [89]
- \_\_\_\_\_ -EB Top-Set Adjustable Extension Assembly
- \_\_\_\_\_ -G Galvanized Cast Iron
- \_\_\_\_\_ -PS Perforated Screen 9 [229] thru 18 [457] (Specify Height)
- \_\_\_\_\_ -R Roof Sump Receiver
- \_\_\_\_\_ -TC Neo-Loc Test Cap Gasket (2,3,4 [51,76,102] NL Bottom Outlet Only)
- \_\_\_\_\_ -VP Vandal Proof Secured Top

\* Regularly furnished unless otherwise specified.