



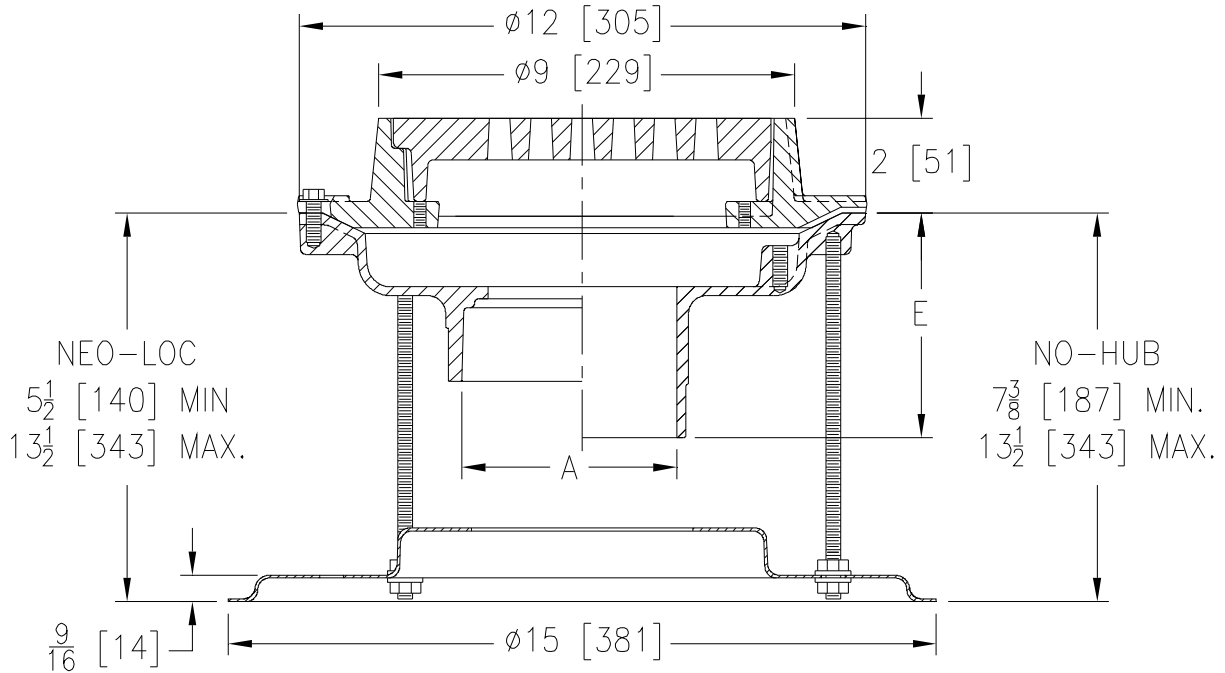
Z508-86

SPECIFICATION SHEET

9 [229] EXTRA-HEAVY-DUTY DRAIN W/ FLOOR DRAIN INSTALLATION STABILIZER

TAG _____

Dimensional Data (inches and [mm]) are Subject to Manufacturing Tolerances and Change Without Notice



| A Pipe Size In. | Approx. Wt. Lbs. [kg] | Grate Open Area Sq. In. [cm ²] |
|--------------------|-----------------------------|--|
| 2-3-4 [51-76-102] | 29 [13] | 18 [116] |
| 6 [152] | 33 [15] | |

ENGINEERING SPECIFICATION: ZURN Z508-86

9 [229] Diameter top drain, Dura-Coated cast iron body with bottom outlet, seepage pan and combination membrane flashing clamp and frame for extra-heavy-duty cast iron deep flange slotted grate, complete with galvanized steel stabilizer plate and hardware.

OPTIONS (Check/specify appropriate options)

PIPE SIZE

2, 3, 4, 6 [51, 76, 102, 152]
2-3-4 [51-76-102]

(Specify size/type) OUTLET

___ NH No-Hub
___ NL Neo-Loc

'E' BODY HT. DIM.

4 3/4 [121]
3 9/16 [90]

PREFIXES

___ Z D.C.C.I. Body and Top*
___ ZB D.C.C.I. Body with Polished Bronze Top (Add 3/16 [5] to 2 [51] Dim.)
___ ZN D.C.C.I. Body with Polished Nickel Bronze Top (Add 3/16 [5] to 2 [51] Dim.)

SUFFIXES

___ -AR Acid Resisting Epoxy Coated Cast Iron
___ -DG Duresist Grate
___ -F Extension Frame (Specify Total Height Req'd.)
___ -G Galvanized Cast Iron
___ HP Heel-Proof Grate
___ -P Trap Primer Connection
___ -S Secondary Strainer
___ -SC Solid Cover with Lift Handle
___ -SG Solid Gasketed Cover with Lift Handle
___ -TC Neo-Loc Test Cap Gasket (2 [51]-4 [102] NL Bottom Outlet Only)
___ -TS Top Secured with Slotted Screws
___ -VP Vandal-Proof Secured Top
___ -Y Sediment Bucket

*REGULARLY FURNISHED UNLESS OTHERWISE SPECIFIED

REV. DATE: 5/28/08 C.N. NO. 98553

DWG. NO. P-15552 PRODUCT NO. Z508-86

ZURN INDUSTRIES, LLC ♦ SPECIFICATION DRAINAGE OPERATION ♦ 1801 Pittsburgh Ave. ♦ Erie, PA 16514

Phone: 814/455-0921 ♦ Fax: 814/454-7929 ♦ World Wide Web: www.zurn.com

In Canada: ZURN INDUSTRIES LIMITED ♦ 3544 Nashua Drive ♦ Mississauga, Ontario L4V1L2 ♦ Phone: 905/405-8272 Fax: 905/405-1292