



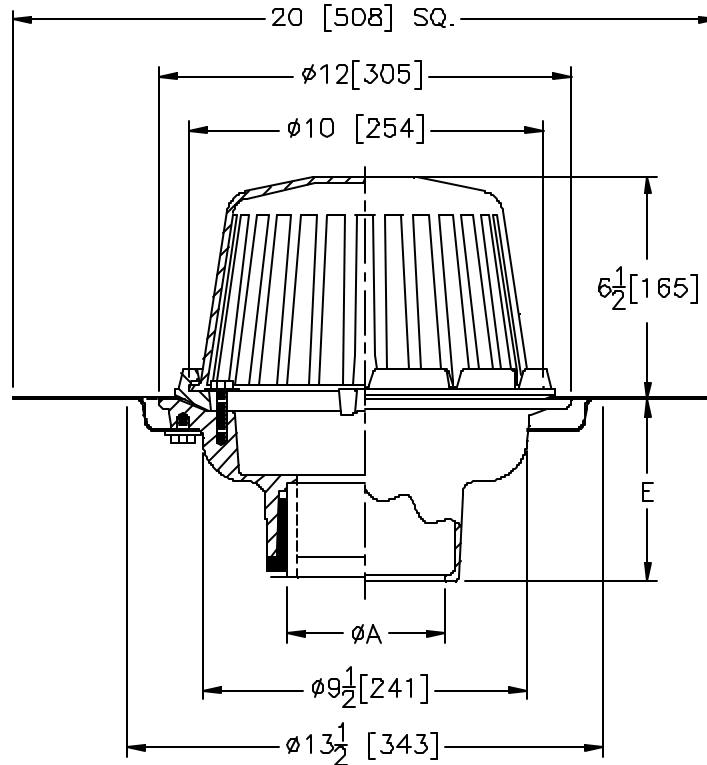
Z-121-DP
12" [305] DIAMETER ROOF DRAIN
W/ TOP-SET® DECK PLATE

SPECIFICATION SHEET

TAG _____



Dimensional Data (inches and [mm]) are Subject to Manufacturing Tolerances and Change Without Notice



A- Pipe Size In.	Approx. Wt. Lbs. [kg]	Dome Open Area Sq. In. [cm ²]
2-3-4-5-6 [50-75-100-125-150]	31 [14]	78 [503]

ENGINEERING SPECIFICATION: ZURN Z-121-DP
 12 [305] Diameter roof drain. Dura-Coated cast iron body with combination membrane flashing clamp/gravel guard, top-set® deck plate, and Poly-Dome.

OPTIONS (Check/specify appropriate options)

PIPE SIZE	(Specify size/type)	OUTLET	E BODY HT. DIM.
2,3,4,6 [50,75,100,150]	_____	IC Inside Caulk	5 1/4 [133]
2,3,4,6 [50,75,100,150]	_____	IP Threaded	3 3/4 [95]
2,3,4 [50,75,100]	_____	NH No-Hub	5 1/4 [133]
2,3,4 [50,75,100]	_____	NL Neo-Loc	4 5/8 [117]

PREFIXES

- _____ Z- D.C.C.I. Body with Poly-Dome*
- _____ ZA- D.C.C.I. Body with Aluminum Dome
- _____ ZC- D.C.C.I. Body with Cast Iron Dome

SUFFIXES

- _____ -A Waterproof Flange
- _____ -AR Acid Resistant Epoxy Coated Finish
- _____ -E Static Extension 1 [25] thru 4 [102] (Specify Ht.)
- _____ -G Galvanized Cast Iron
- _____ -SE 3 3/8 [86] Slotted Extension
- _____ -SSM Stainless Steel Mesh Screen Over Dome
- _____ -VP Vandal Proof Secured Top
- _____ -84 Stainless Steel Perforated Gravel Guard
- _____ -85 Stainless Steel Perforated Extension
- _____ -89 2 [51] High External Water Dam
- _____ -90 90° Threaded Side Outlet Body

REV. B	DATE: 8/20/03	C.N. NO. 89806
DWG. NO. 67020	PRODUCT NO. Z-121-DP	

*REGULARLY FURNISHED UNLESS OTHERWISE SPECIFIED

