



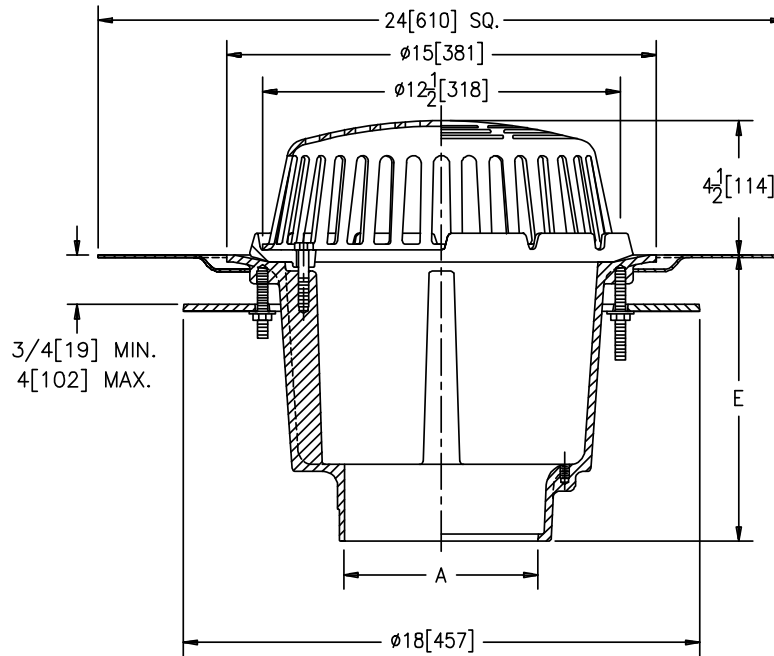
# Z104-C-R

15 [381] DIAMETER DEEP SUMP ROOF DRAIN WITH  
ROOF SUMP RECEIVER AND UNDERDECK CLAMP

SPECIFICATION SHEET

TAG \_\_\_\_\_

Dimensional Data (inches and [ mm ]) are Subject to Manufacturing Tolerances and Change Without Notice



A- Pipe Size In. [mm]	Approx. Wt. Lbs. [kg]	Dome Open Area Sq. In. [cm <sup>2</sup> ]
3, 4 [76, 102]	56 [25]	103 [665]
6, 8 [152, 203]		

**ENGINEERING SPECIFICATION: ZURN Z104-C-R**

15" [381mm] Diameter roof drain. Dura-Coated cast iron deep sump body with combination membrane flashing clamp/gravel guard, roof sump receiver, underdeck clamp and low silhouette Poly-Dome.

**OPTIONS** (Check/specify appropriate options)

**PIPE SIZE**

3, 4, 6, 8 [76, 102, 152, 203]  
3, 4 [76, 102]

(Specify size/type) **OUTLET**

\_\_\_\_\_ NH No-Hub  
\_\_\_\_\_ NL Neo-Loc

**'E' BODY HT. DIM.**

10 [254]  
9-5/16 [237]

**PREFIXES**

- \_\_\_\_\_ Z D.C.C.I. Body with Poly-Dome\*
- \_\_\_\_\_ ZA D.C.C.I. Body with High Aluminum Dome
- \_\_\_\_\_ ZC D.C.C.I. Body with Cast Iron Dome

**SUFFIXES**

- |  |  |
|--|--|
| <ul style="list-style-type: none"> <li>_____ -AR Acid Resistant Epoxy Coated Finish</li> <li>_____ -AW 3/4 [19] to 4 [102] Adjustable Water Level Regulator (Specify Ht.) (ZC only)</li> <li>_____ -E Static Extension (1 [25] thru 4 [102]) (Specify Ht)</li> <li>_____ -EA Adjustable Extension Assembly (2-1/8 [54] thru 3-1/2 [89])</li> <li>_____ -FG Flush Grate</li> <li>_____ -G Galvanized Cast Iron</li> <li>_____ -HD 6-3/4 [171] High Aluminum Dome (148 Sq. In. [955 cm<sup>2</sup>] Open Area)</li> <li>_____ -SC Secondary Clamping Collar</li> </ul> | <ul style="list-style-type: none"> <li>_____ -SS Stainless Steel Mesh Screen Over Dome</li> <li>_____ -VP Vandal Proof Secured Top</li> <li>_____ -W2 2 [50] Internal Water Dam</li> <li>_____ -W3 3 [76] Internal Water Dam</li> <li>_____ -W4 4 [102] Internal Water Dam</li> <li>_____ -84 Stainless Steel Perforated Gravel Guard</li> <li>_____ -85 Stainless Steel Perforated Extension</li> <li>_____ -89 2 [50] High External Water Dam</li> </ul> |
|--|--|

\* Regularly furnished unless otherwise specified.