



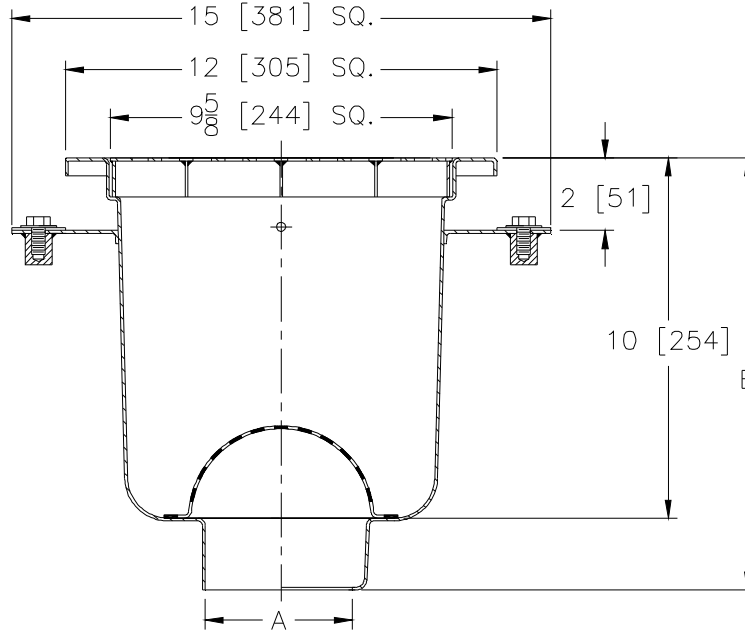
Z1752-KC

12 x 12 [305 X 305] SANI-FLOR RECEPTOR 10 [254] SUMP DEPTH W/ ANCHOR FLANGE & CLAMP COLLAR

SPECIFICATION SHEET

TAG _____

Dimensional Data (inches and [mm]) are Subject to Manufacturing Tolerances and Change Without Notice



A Pipe Size In. [mm]	Approx. Wt. In. [mm]	Grate Open Area Sq. In. [cm ²]
2,3,4 [51,76,102]	22 [10]	23 [148]
6 [152]	23 [10]	23 [148]

ENGINEERING SPECIFICATION: ZURNZ1752-KC

12" [305mm] x 12" [305mm] x 10" [254mm] Deep, 16 gage, all Type 304 (CF8) stainless steel light duty Sani-Flor receptor with anchor flange w/ seepage holes, clamp collar and non-tilt, loose set full grate with 1/2 [13] square openings and anti-splash interior dome strainer.

OPTIONS (Check/specify appropriate options)

PIPE SIZE

2,3,4,6 [51,76,102,152]
2,3,4 [51,76,102]

(Specify size/type) OUTLET

___ NH No-Hub
___ NL Neo-Loc

'E' BODY HT. DIM.

8-1/16 [205]
7-13/16 [198]

PREFIXES

___ Z Type 304 (CF8) Stainless Steel Body*
___ ZM Type 316 (CF8M) Stainless Steel

SUFFIXES

___ -DX	Dex-O-Tex Flange	___ -3	3/4 Grate
___ -HD	Extra Heavy-Duty Grate	___ -4	Full Grate w/ 3 [76] Square Opening
___ -HP	Heel-Proof Grate	___ -5	Grate w/ 4 [102] Dia. x 3-3/4 [95] High
___ -P	1/2 [13] Trap Primer Connection	___ -8	Type 304 Stainless Steel Funnel
___ -SG	Solid Gasketed Cover	___ -15	Grate w/ 8-3/8 x 3-5/8 x 3-3/4 [213 x 92 x 95]
___ -TC	Neo-Loc Test Cap Gasket (2,3,4 [51,76,102] NL Bottom Outlet Only)	___ -16	High Type 304 Stainless Steel Oval Funnel
___ -VP	Vandal-Proof Secured Top	___ -19	Solid Cover
___ -Y	Sediment Bucket	___ -20	1/2 Solid Cover
___ -YS	Suspended Sediment Bucket		Full Hinged Grate
___ -1	(Less) Grate		Full Hinged Solid Cover
___ -2	1/2 Grate		

* Regularly furnished unless otherwise specified.

Zurn Industries, LLC | Specification Drainage Operation
1801 Pittsburgh Avenue, Erie, PA U.S.A. 16502 · Ph. 855-663-9876, Fax 814-454-7929
In Canada | Zurn Industries Limited
3544 Nashua Drive, Mississauga, Ontario L4V 1L2 · Ph. 905-405-8272, Fax 905-405-1292
www.zurn.com

Rev. D
Date: 10/26/17
C.N. No. 139080
Prod. | Dwg. No. Z1752-KC