

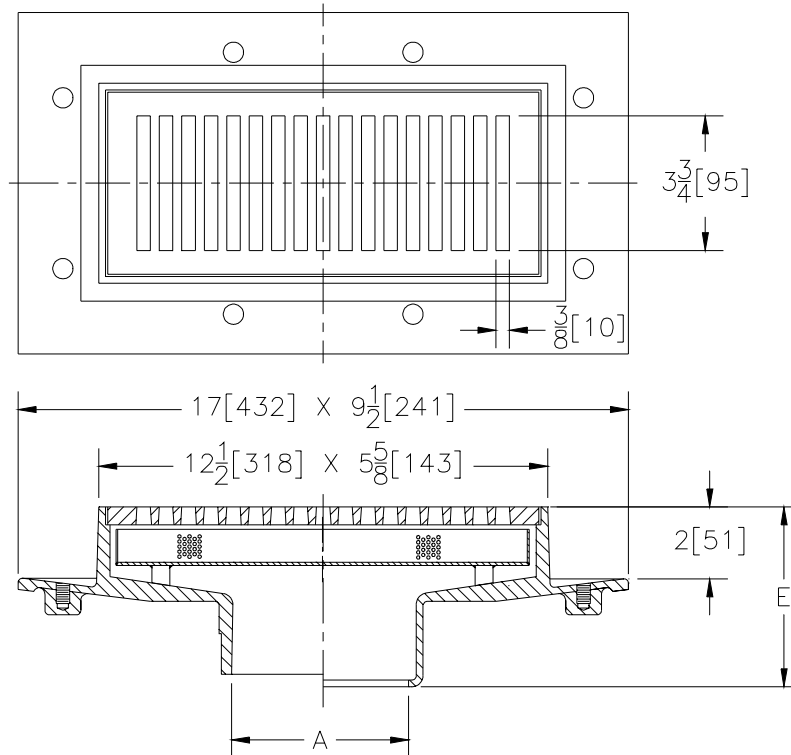


Z-575-77

6 x 12 HEAVY DUTY GUTTER DRAIN WITH SEEPAGE PAN AND BUCKET

TAG _____

Dimensional Data (inches and [mm]) are Subject to Manufacturing Tolerances and Change Without Notice



A- Pipe Size In.	Approx. Wt. Lbs. [kg]	Grate Open Area Sq. In. [cm ²]
2,3,4 [51,76,102]	20 [10]	24 [155]

ENGINEERING SPECIFICATION: ZURN Z-575-77 6[152]x12[305] Top gutter drain, Dura-Coated cast iron body with bottom outlet, seepage pan, bucket and heavy duty cast iron anti-tilt slotted grate.

OPTIONS (Check/specify appropriate options)

OUTLET (Specify type)

- _____ **IC** Inside Caulk
- _____ **IG** Inside Caulk w/Sealtrol Gskt.
- _____ **IP** Threaded
- _____ **NH** No-Hub
- _____ **NL** Neo-Loc

PIPE SIZE (Specify size)

- _____ 2,3,4 [51,76,102]
- _____ 2,3,4 [51,76,102]
- _____ 2,3,4 [51,76,102]
- _____ (IPw/Z-1040-1)
- _____ 2,3,4 [51,76,102]

'E' BODY HT. DIMENSION

- _____ 5 [127]
- _____ 5 [127]
- _____ 3 5/8 [92]
- _____ 4 1/2 [114]

PREFIXES

- _____ **Z-** D.C.C.I. Body and Grate*
- _____ **ZB-** D.C.C.I. Body with Polished Bronze Grate (Add 3/16 [5] to E Dim.)
- _____ **ZN-** D.C.C.I. Body with Polished Nickel Bronze Grate (Add 3/16 [5] to E Dim.)

SUFFIXES

- _____ **-DG** Duresist Grate
- _____ **-G** Galvanized Cast Iron
- _____ **-V** Backwater Valve (See Z-1099)
- _____ **-VP** Vandal Proof Secured Top

REV. **DATE: 11/3/97** **C.N. NO. 78885**

*REGULARLY FURNISHED UNLESS OTHERWISE SPECIFIED

DWG. NO. P-14566 PRODUCT NO. Z-575-77

ZURN INDUSTRIES, INC. ♦ SPECIFICATION DRAINAGE OPERATION ♦ 1801 Pittsburgh Ave. ♦ Erie, PA 16514

Phone: 814/455-0921 ♦ Fax: 814/454-7929 ♦ World Wide Web: www.zurn.com

In Canada: ZURN INDUSTRIES LIMITED ♦ 3544 Nashua Drive ♦ Mississauga, Ontario L4V1L2 ♦ Phone: 905/405-8272 Fax: 905/405-1292