



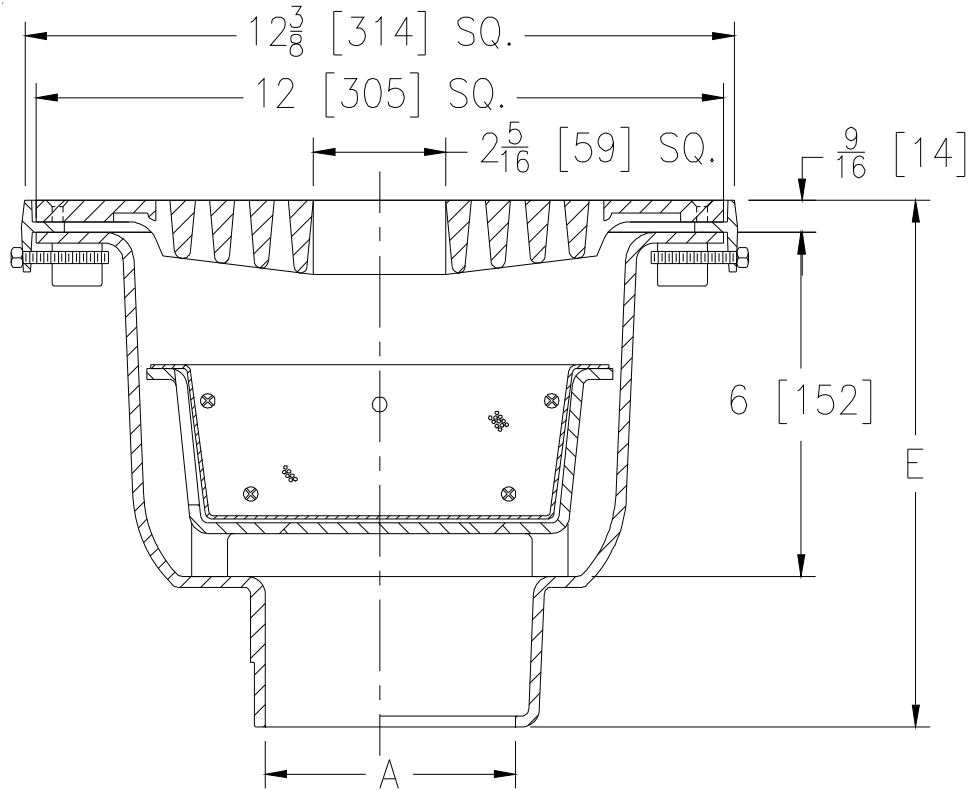
# ZS1900-HD-4-25-31

12-3/8 x 12-3/8 [314 x 314] A.R.E. SANI-FLOR RECEPTOR W/ A.R.C. BUCKET W/ LINER, 6 [152] SUMP DEPTH, STAINLESS STEEL FRAME AND GRATE W/ 2-5/16 [59] SQ. CENTER OPENING

SPECIFICATION SHEET

TAG \_\_\_\_\_

Dimensional Data (inches and [ mm ]) are Subject to Manufacturing Tolerances and Change Without Notice



A Pipe Size In. [mm]	Approx Wt. Lbs. [kg]	Grate Open Area Sq. In. [cm <sup>2</sup> ]
2,3,4 [51,76,102]	32 [15]	22 [142]

### ENGINEERING SPECIFICATION: ZURN ZS1900-HD-4-25-31

Sani-Flor Receptor 12-3/8" x 12-3/8" x 6" [314mm x 314mm x 152mm] deep cast iron body with white acid resisting porcelain enamel interior, black ground enamel exterior coating, white A.R.C. bucket with stainless steel mesh liner, stainless steel frame, and stainless steel grate with a 2-5/16" [59mm] square center opening.

### OPTIONS (Check/specify appropriate options)

#### PIPE SIZE

3,4 [76,102]  
2,3,4 [51,76,102]  
2,3,4 [51,76,102]

#### (Specify size/type) OUTLET

\_\_\_\_\_ IC Inside Caulk  
\_\_\_\_\_ NH No-Hub  
\_\_\_\_\_ NL Neo-Loc

#### 'E' BODY HT. DIM.

9-1/8 [232]  
9-1/8 [232]  
8-1/2 [216]

### PREFIXES

\_\_\_\_\_ ZS Cast Iron Body w/ White A.R.E. Interior, 12-3/8 [314] Square Stainless Steel Frame & Grate w/ 1/4 [6] Slotted Openings & Center Opening\*

### SUFFIXES

\_\_\_\_\_ -K Anchor Flange with Seepage Holes  
\_\_\_\_\_ -KC Anchor Flange with Seepage Holes and Clamp Collar  
\_\_\_\_\_ -P 1/2 [13] Trap Primer Connection (See Z1023)  
\_\_\_\_\_ -SA Stabilizer Assembly (See Z1903)  
\_\_\_\_\_ -TC Neo-Loc Test Cap Gasket (2,3,4 [51,76,102] NL Bottom Outlet Only)  
\_\_\_\_\_ -VPS Vandal-Proof Strainer  
\_\_\_\_\_ -11 Vandal-Proof Secured Top

\* Regularly furnished unless otherwise specified.

Zurn Industries, LLC | Specification Drainage Operation  
1801 Pittsburgh Avenue, Erie, PA U.S.A. 16502 · Ph. 855-663-9876, Fax 814-454-7929  
In Canada | Zurn Industries Limited  
3544 Nashua Drive, Mississauga, Ontario L4V 1L2 · Ph. 905-405-8272, Fax 905-405-1292  
[www.zurn.com](http://www.zurn.com)

Rev. A  
Date: 10/12/17  
C.N. No. 138705  
Prod. | Dwg. No. ZS1900-HD-4-25-31