



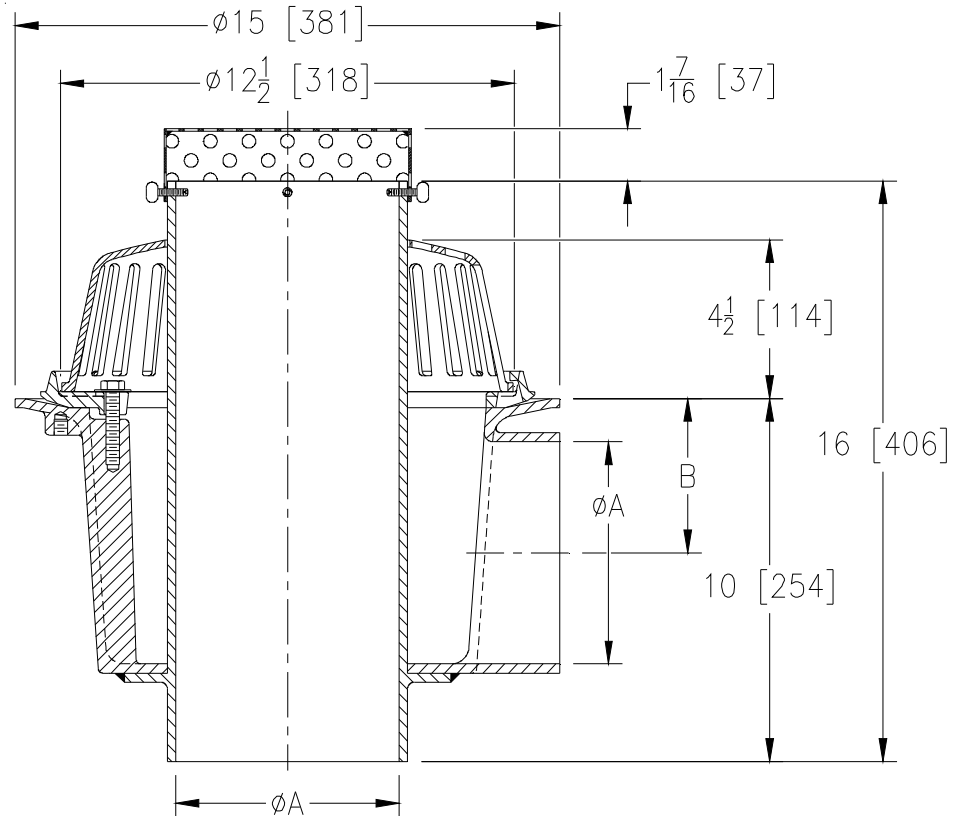
Z103-MS

15 [381] DIAMETER DEEP SUMP DUAL OUTLET ROOF DRAIN W/ PERFORATED SCREEN ON OVERFLOW PIPE

SPECIFICATION SHEET

TAG _____

Dimensional Data (inches and [mm]) are Subject to Manufacturing Tolerances and Change Without Notice



A Pipe Size In. [mm]	B In. [mm]	Approx. Wt. Lbs. [kg]	Dome Open Area Sq. In. [cm ²]
3 [76]	5-9/16 [141]	60 [22]	103 [665]
4 [102]	5-1/16 [129]		
6 [152]	4 [102]		

ENGINEERING SPECIFICATION: ZURN Z103-MS

15" [381mm] Diameter dual outlet roof drain with 90° primary outlet connection. Dura-Coated cast iron deep sump body with combination membrane flashing clamp/gravel guard, overflow pipe with fabricated #18 gage perforated stainless steel dome over (3", 4", 6" [76mm, 102mm, 152mm]) and low silhouette cast iron dome.

OPTIONS (Check/specify appropriate options)

PIPE SIZE 3, 4, 6 [76, 102, 152] (Specify size) **OUTLET** _____ NH No-Hub

PREFIXES
 _____ Z D.C.C.I. Body w/ Cast Iron Dome

SUFFIXES

_____ -AR	Acid Resistant Epoxy Coated Finish	_____ -VP	Vandal-Proof Secured Top
_____ -C	Underdeck Clamp	_____ -45	45° Primary Outlet Connection (3, 4 [76, 102] Pipe only)
_____ -DP	Top-Set® Deck Plate (Replaces both the -C &-R)	_____ -84	Stainless Steel perforated Gravel Guard
_____ -E	Static Extension 1 [25] thru 4 [102] (Specify Ht)		
_____ -G	Galvanized Cast Iron		
_____ -SS	Stainless Mesh Screen over Dome		

* Regularly furnished unless otherwise specified.