



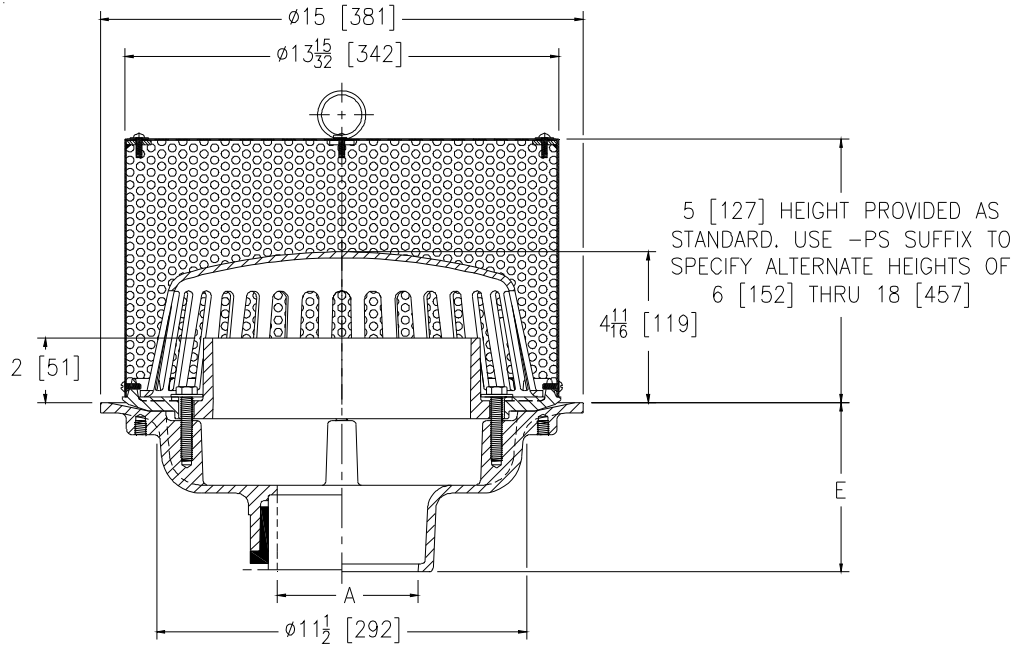
Z110-86

15 [381] DIAMETER MAIN GREEN ROOF OVERFLOW DRAIN W/
CAST IRON SOLID TOP DOME, 2 [51] INTERNAL WATER DAM,
PERFORATED SCREEN ASSEMBLY, AND REMOVABLE COVER
W/ LIFT HANDLE

SPECIFICATION SHEET

TAG _____

Dimensional Data (inches and [mm]) are Subject to Manufacturing Tolerances and Change Without Notice



A Pipe Size In. [mm]	Approx. Wt. Lbs. [kg]	Dome Open Area Sq. In. [cm ²]
2,3,4 [51,76,102]	30 [14]	103 665
6 [152]	32 [15]	
8 [203]	33 [15]	

ENGINEERING SPECIFICATION: ZURNZ110-86

15" [381mm] Diameter green roof drain. Dura-Coated cast iron body with combination membrane flashing clamp/gravel guard and low silhouette cast iron dome. Complete with secured Type 304 (CF8) stainless steel perforated screen assembly with secured removable access cover with lift handle.

OPTIONS (Check/specify appropriate options)

PIPE SIZE

- 3, 4, 6 [76, 102, 152]
- 3, 4, 6, 8 [76, 102, 152, 203]
- 2, 3, 4, 6, 8 [51, 76, 102, 152, 203]
- 2, 3, 4 [51, 76, 102]
- 6 [152]

(Specify size/type) OUTLET

- _____ IC Inside Caulk
- _____ IP Threaded
- _____ NH No-Hub
- _____ NL Neo-Loc
- _____ NL Neo-Loc

'E' BODY HT. DIM.

- 5-1/4 [133]
- 3-3/4 [95]
- 5-1/4 [133]
- 4-9/16 [116]
- 5-7/16 [112]

PREFIXES

- _____ ZA D.C.C.I. Body with Aluminum Dome
- _____ ZC D.C.C.I. Body with Cast Iron Dome *

SUFFIXES

- | | |
|---|--|
| _____ -AC Angular Underdeck Clamp | _____ -PS Perforated Screen 6 [152] thru 18 [457]
(Specify Height Required) |
| _____ -AR Acid Resistant Epoxy Coated | _____ -R Roof Sump Receiver |
| _____ -C Underdeck Clamp | _____ -ST Dome with Solid Top (ZA, ZC Only) |
| _____ -DE Deck Extension | _____ -TC Neo-Loc Test Cap Gasket
(2,3,4 [51,76,102] NL Bottom Outlet Only) |
| _____ -DP Top-Set® Deck Plate (Replaces both the -C and -R) | _____ -VP Vandal-Proof Secured Screen Cover |
| _____ -E Static Extension 1 [25] thru 4 [102] (Specify Ht.) | _____ -W3 3 [76] Internal Water Dam |
| _____ -EA Adjustable Extension Assembly
2-1/8 [54] thru 3-1/2 [89] | _____ -W4 4 [102] Internal Water Dam |
| _____ -EB Top-Set® Adjustable Extension Assembly | _____ -85 Stainless Steel Perforated Extension |
| _____ -G Galvanized Cast Iron | |

* Regularly furnished unless otherwise specified.