



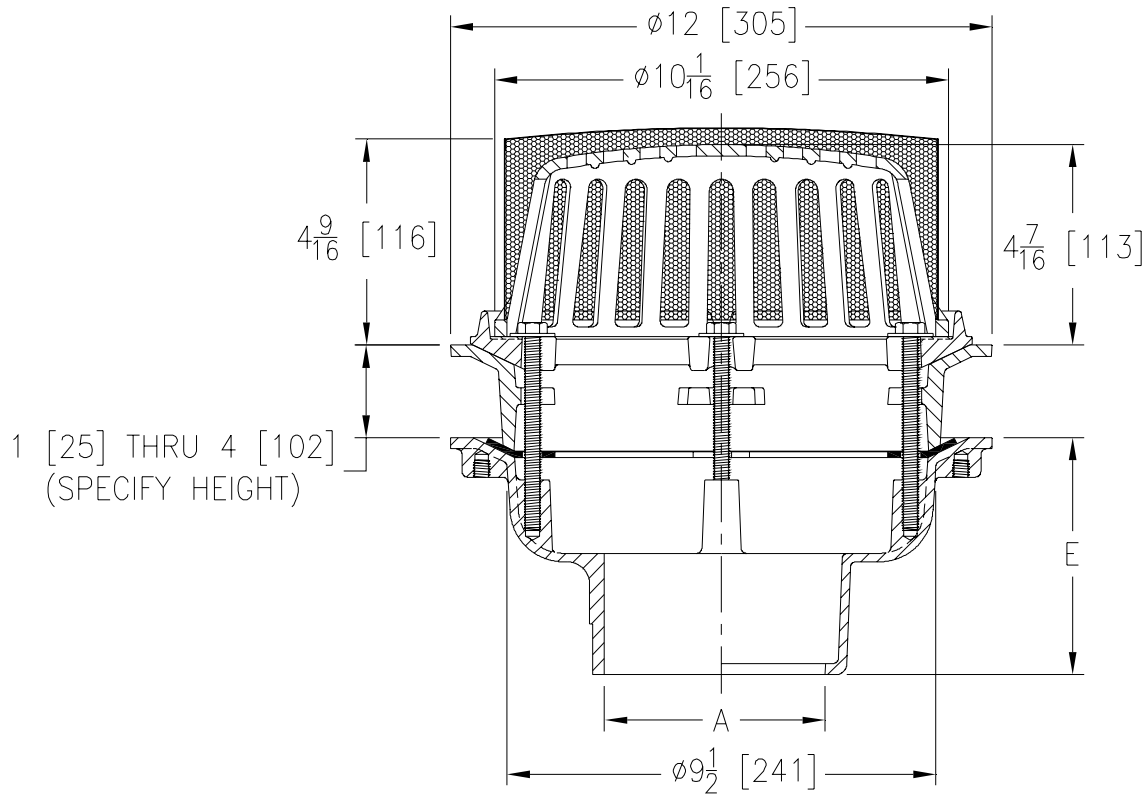
# Z348-83

## DOME TYPE PLANTING AREA DRAIN W/ STATIC EXTENSION

SPECIFICATION SHEET

TAG \_\_\_\_\_

Dimensional Data (inches and [ mm ]) are Subject to Manufacturing Tolerances and Change Without Notice



A Pipe Size Inches	Approx. Wt. Lbs. [kg]	Dome Open Area Sq. In. [cm <sup>2</sup> ]
2-3-4-6 [51-76-102-152]	26 [12]	78 [503]

**ENGINEERING SPECIFICATION: ZURN Z348-83**

Dome type planting area drain, Dura-Coated cast iron body with bottom outlet complete with combination membrane flashing clamp/gravel guard, static extension, low silhouette dome and stainless steel mesh screen over dome.

**OPTIONS** (Check/specify appropriate options)

**PIPE SIZE**

- 2-3-4-6 [51-76-102-152]
- 2-3-4-6 [51-76-102-152]
- 2-3-4-6 [51-76-102-152]
- 2-3-4-6 [51-76-102-152]
- 2-3-4 [51-76-102]

(Specify size/type) **OUTLET**

- \_\_\_\_\_ IC Inside Caulk
- \_\_\_\_\_ IG Inside Caulk w/Sealtrol Gskt.
- \_\_\_\_\_ IP Threaded
- \_\_\_\_\_ NH No-Hub
- \_\_\_\_\_ NL Neo-Loc

**'E' BODY HT. DIM.**

- 5 1/4 [133]
- 5 1/4 [133]
- 3 3/4 [95]
- 5 1/4 [133]
- 4 5/8 [117]

**PREFIXES**

- \_\_\_\_\_ Z D.C.C.I Body, Clamping Collar and Dome\*
- \_\_\_\_\_ ZB D.C.C.I Body, Clamping Collar and Bronze Dome

**SUFFIXES**

- \_\_\_\_\_ -G Galvanized Cast Iron
- \_\_\_\_\_ -SA Stabilizer Assembly (See Z1036)
- \_\_\_\_\_ -TC Neo-Loc Test Cap Gasket  
(2 [51]-4 [102] NL Bottom Outlet Only)

REV.	DATE: 5/28/09	C.N. NO. 99409
DWG. NO. P-15625		PRODUCT NO. Z348-83

\*REGULARLY FURNISHED UNLESS OTHERWISE SPECIFIED