



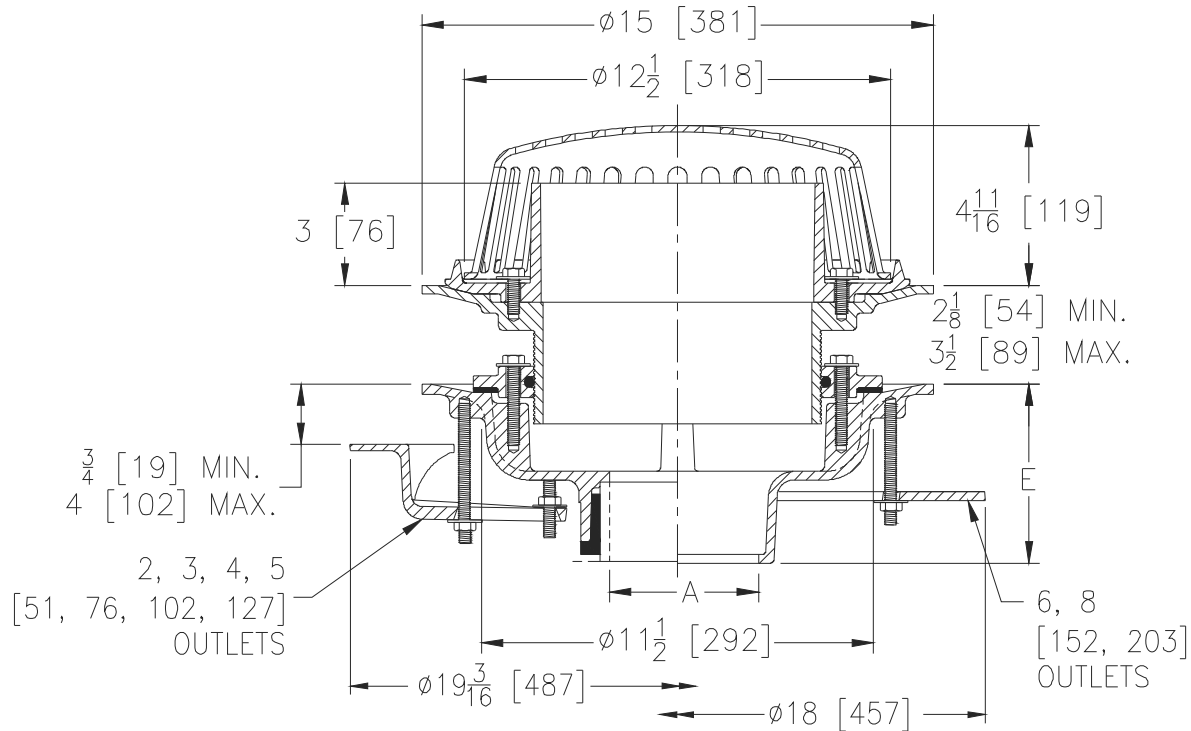
Z100-C-EA-W3

15 [381] DIAMETER MAIN ROOF DRAIN
W/ ADJUSTABLE EXTENSION AND 3 [76] INTERNAL
WATER DAM

SPECIFICATION SHEET

TAG _____

Dimensional Data (inches and [mm]) are Subject to Manufacturing Tolerances and Change Without Notice



A Pipe Size in [mm]	Approx Wt. lbs [kg]	Dome Open Area in ² [cm ²]
2,3,4 [51,76,102]	48 [22]	103 [665]
5,6 [127,152]	49 [22]	
8 [203]	50 [23]	

ENGINEERING SPECIFICATION: ZURN Z100-C-EA-W3

15 "[381mm] diameter roof drain. Dura-Coated cast iron body with combination membrane flashing clamp/gravel guard, adjustable extension assembly with 3" [76mm] internal water dam, underdeck clamp and low silhouette Poly-Dome strainer.

OPTIONS (Check/specify appropriate options)

PIPE SIZE

- 3,4,6 [76,102,152]
- 2,3,4,5,6, 8 [51,76,102,127,152,203]
- 2,3,4,5,6, 8 [51,76,102,127,152,203]
- 2,3,4 [51,76,102]
- 6 [152]

(Specify size/type) **OUTLET**

- _____ IC Inside Caulk
- _____ IP Threaded
- _____ NH No-Hub
- _____ NL Neo-Loc
- _____ NL Neo-Loc

'E' BODY HT. DIM.

- 5-1/4 [133]
- 3-3/4 [95]
- 5-1/4 [133]
- 4-5/8 [117]
- 5-7/16 [1138]

PREFIXES

- ___ Z D.C.C.I. Body with Poly-Dome*
- ___ ZA D.C.C.I. Body with Aluminum Dome
- ___ ZC D.C.C.I. Body with Cast Iron Dome
- ___ ZRB D.C.C.I. Body with Plain Bronze Dome

SUFFIXES

- ___ -AR Acid Resistant Epoxy Coated
- ___ -E Static Extension 1" [25] thru 4" [102] (Specify Ht.)
- ___ -G Galvanized Cast Iron
- ___ -HD 6-3/4 [171] High Aluminum Dome (148 sq. in. [955 cm²] open area)
- ___ -R Roof Sump Receiver
- ___ -SC Secondary Clamping Collar
- ___ -SS Stainless Mesh Screen Over Dome
- ___ -ST Dome w/ Solid Top (ZA and ZC Only)
- ___ -TC Neo-Loc Test Cap Gasket (2,3,4 [51,76,102] NL Bottom Outlet Only)
- ___ -VP Vandal Proof Secured Top
- ___ -84 Stainless Steel Perforated Gravel Guard
- ___ -85 Stainless Steel Perforated Extension
- ___ -90 90° Threaded Side Outlet Body

* Regularly furnished unless otherwise specified.