



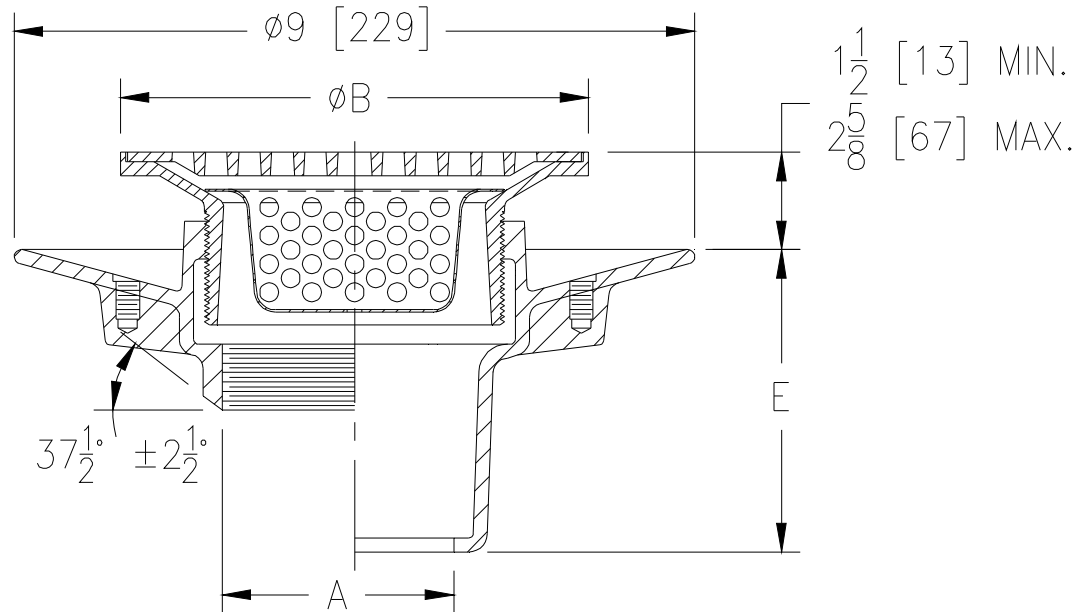
# Z1726-Y

## ADJUSTABLE FLOOR DRAIN MEDIUM DUTY W/ STAINLESS STEEL SEDIMENT BUCKET

SPECIFICATION SHEET

TAG \_\_\_\_\_

Dimensional Data (inches and [ mm ]) are Subject to Manufacturing Tolerances and Change Without Notice



Dimensions in In [mm]		Approx. Wt. Lbs. [kg]	Strainer Open Area Sq. In. [cm <sup>2</sup> ]
A Pipe Size	B Strainer Dia.		
2,3 [51,76]	5 [127]	13 [6]	7 [45]
2,3,4 [51,76,102]	6 [152]	13 [6]	11 [71]
2,3,4 [51,76,102]	7 [178]	14 [6]	15 [97]
3,4,6 [76,102,152]	8 [203]	16 [7]	20 [129]
6 [152]	10 [254]	19 [9]	27 [174]

### ENGINEERING SPECIFICATION: ZURN Z1726-Y

All Type 304 (CF8) stainless steel adjustable floor drain with anchor flange (clamp collar with seepage holes, when specified), and 6" [152mm] diameter medium-duty vertically adjustable, satin finish top with stainless steel sediment bucket.

### OPTIONS (Check/specify appropriate options)

#### PIPE SIZE

2,3,4,6 [51,76,102,152]

(Specify size/type) **OUTLET**

\_\_\_\_\_ BW Butt-weld  
(Specify Schedule 10 or 40)

**'E' BODY HT. DIM.**

2-7/8 [73]

2,3,4,6 [51,76,102,152]

\_\_\_\_\_ IC Inside Caulk

4-3/8 [111]

2,3,4,6 [51,76,102,152]

\_\_\_\_\_ IP Threaded

2-7/8 [73]

#### PREFIXES

\_\_\_\_\_ Z Type 304 (CF8) Stainless Steel Body\*  
\_\_\_\_\_ ZM Type 316 (CF8M) Stainless Steel Body

#### SUFFIXES

\_\_\_\_\_ -K Seepage Holes Only  
\_\_\_\_\_ -KC Clamp Collar with Seepage Holes  
\_\_\_\_\_ -RD5 5 [127] Diameter Type 304 Stainless Steel Top  
\_\_\_\_\_ -RD7 7 [178] Diameter Type 304 Stainless Steel Top  
\_\_\_\_\_ -RD8 8 [203] Diameter Type 304 Stainless Steel Top  
\_\_\_\_\_ -RD10 10 [254] Diameter Type 304 Stainless Steel Top  
\_\_\_\_\_ -VP Vandal-Proof Secured Top

\* Regularly furnished unless otherwise specified.