



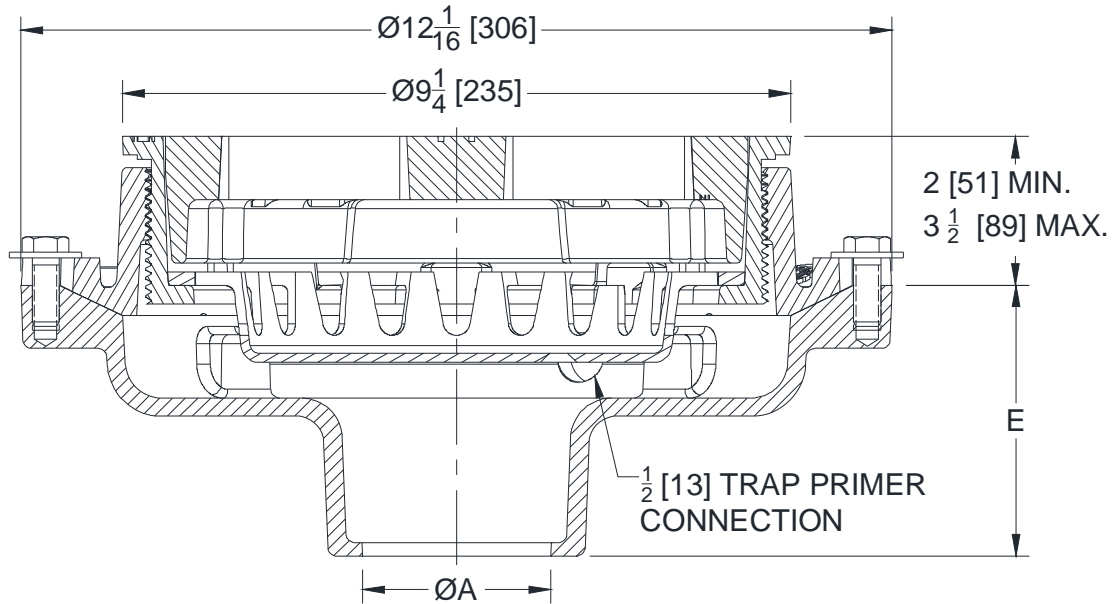
Z520-P-Y

9-1/4 [235] DIAMETER TOP ADJUSTABLE HEAVY-DUTY DRAIN W/ TRAP PRIMER CONNECTION & SEDIMENT BUCKET

SPECIFICATION SHEET

TAG _____

Dimensional Data (inches and [mm]) are Subject to Manufacturing Tolerances and Change Without Notice



A Pipe Size In. [mm]	Approx. Wt. Lbs. [kg]	Grate Open Area Sq. In. [cm ²]
2, 3, 4 [51, 76, 102]	33 [15]	15 [97]
6 [152]	38 [17]	

ENGINEERING SPECIFICATION: ZURN Z520-P-Y
9-1/4 [235mm] Diameter top drain, Dura-Coated cast iron body with bottom outlet and 1/2 [13] trap primer connection, seepage pan, membrane flashing clamp with seepage slots, adjustable extension frame with heavy-duty cast iron deep flange slotted grate along with sediment bucket.

OPTIONS (Check/specify appropriate options)

PIPE SIZE

- 4 [102]
- 4 [102]
- 4 [102]
- 2, 3, 4 [51, 76, 102]
- 6 [152]
- 2, 3, 4 [51, 76, 102]

(Specify size/type) **OUTLET**

- ___ IC Inside Caulk
- ___ IG Inside Gasket
- ___ IP Threaded
- ___ NH No-Hub
- ___ NH No-Hub
- ___ NL Neo-Loc

'E' BODY HT. DIM.

- 3-3/4 [95]
- 3-3/4 [95]
- 2-3/4 [70]
- 4-3/4 [121]
- 5-1/4 [133]
- 3-9/16 [90]

PREFIXES

- ___ Z D.C.C.I. Body and Top*
- ___ ZN D.C.C.I. Body w/ Polished Nickel Bronze Top (Add 13/16 [21] to 9-1/4 [235] Dim. & 3/16 [5] to 2 [51] to 3-1/2 [89] Dim.)

SUFFIXES

- ___ -DG Duresist Grate
- ___ -G Galvanized Cast Iron
- ___ -HP Heel-Proof Grate (9 [58] Open Area)
- ___ -S Secondary Strainer (2-4 [51-102] Outlets Only)
- ___ -SS Stainless Mesh Liner for Bucket
- ___ -T Square Top
- ___ -TC Neo-Loc Test Cap Gasket (2, 3, 4 [51, 76, 102] NL Bottom Outlet Only)
- ___ -TS Top Secured with Slotted Screws
- ___ -V Backwater Valve (See Z1099)
- ___ -VP Vandal-Proof Secured Top
- ___ -90 90° Threaded Side Outlet Body (4 [102] Size Only)

* Regularly furnished unless otherwise specified.