



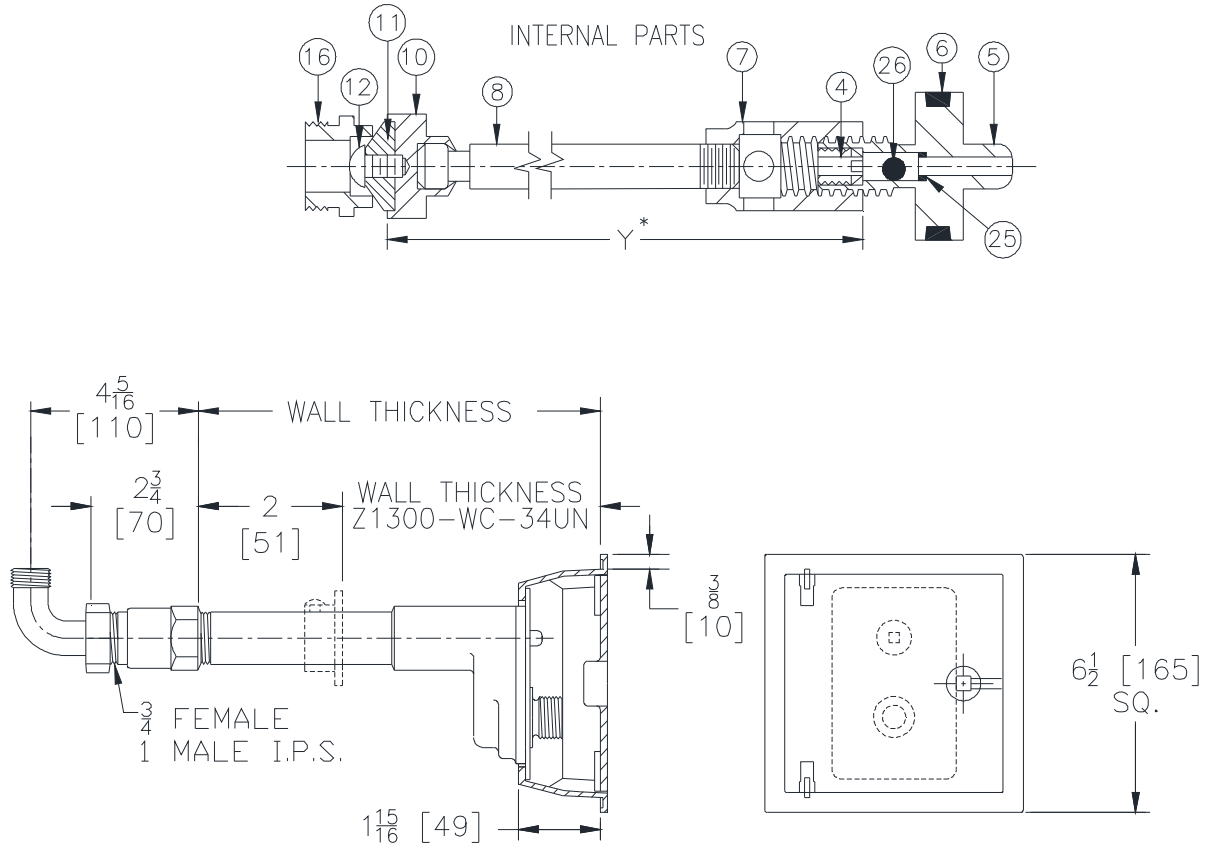
# Z1300-34UN

ECOLOtrol WALL HYDRANT ENCASED, NON-FREEZE,  
ANTI-SIPHON, AUTOMATIC DRAINING

SPECIFICATION SHEET

TAG \_\_\_\_\_

Dimensional Data (inches and [ mm ]) are Subject to Manufacturing Tolerances and Change Without Notice



| Wall Thickness<br>Inches [mm] | Wt.<br>Lbs. [kg] |
|-------------------------------|------------------|
| 6, 8, [152, 203]              | 10 [5]           |
| 10, 12, 14 [254, 304, 356]    | 13 [6]           |
| 16, 18 [406, 457]             | 16 [7]           |
| 20, 22, 24 [508, 559, 610]    | 19 [9]           |

### ENGINEERING SPECIFICATION: ZURN Z1300-34UN

Encased Ecolotrol "anti-siphon" automatic draining wall hydrant for flush installation. Complete with non-freeze type integral backflow preventer, bronze casing, all bronze interior parts, non-turning operating rod with free-floating compression closure valve, replaceable bronze seat and seat washer, and combination 3/4" female or 1" male straight IP inlet with 3/4" IP 90° inlet elbow with union nut. Nickel bronze box and hinged cover with operating key lock.

### PARTS LIST

| Item | Name               | Quan. |
|------|--------------------|-------|
| 4    | Screw              | 1     |
| 5    | Operating Screw    | 1     |
| 6    | O-Ring             | 1     |
| 7    | Operating Coupling | 1     |
| 8    | Operating Rod      | 1     |
| 10   | Washer Guide       | 1     |
| 11   | Washer (neoprene)  | 1     |
| 12   | Screw              | 1     |
| 16   | Removable Seat     | 1     |
| 25   | O-Ring             | 1     |
| 26   | Ball               | 1     |

**OPTIONS** (Check/specify appropriate options)

#### SUFFIXES

- \_\_\_ -CL Cylinder Lock
- \_\_\_ -PB Polished Bronze Face
- \_\_\_ -RA4 24 [610] Replacement Rod Assembly
- \_\_\_ -RK Hydrant Parts Repair Kit
- \_\_\_ -SS Stainless Steel Box and Cover
- \_\_\_ -WC Wall Clamp

\* Regularly furnished unless otherwise specified.

Zurn Industries, LLC | Specification Drainage Operation  
1801 Pittsburgh Avenue, Erie, PA U.S.A. 16502 · Ph. 855-663-9876, Fax 814-454-7929  
In Canada | Zurn Industries Limited  
3544 Nashua Drive, Mississauga, Ontario L4V 1L2 · Ph. 905-405-8272, Fax 905-405-1292  
[www.zurn.com](http://www.zurn.com)

Rev. B  
Date: 10/18/17  
C.N. No. 138953  
Prod. | Dwg. No. Z1300-34UN