



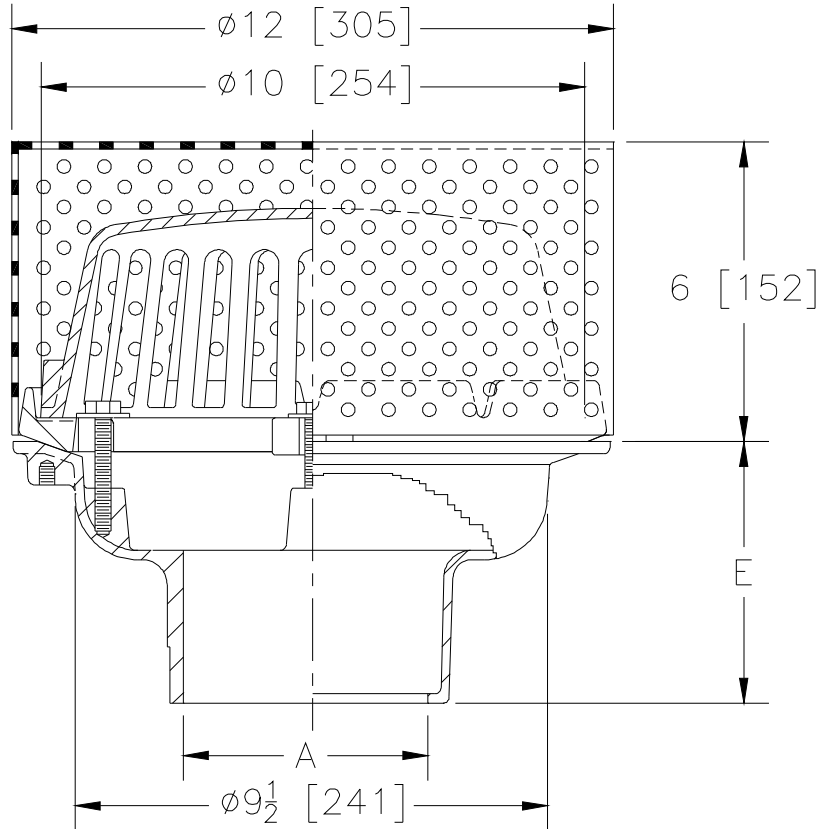
# Z348-80

SPECIFICATION SHEET

## 12 [305] DIAMETER DOME TYPE PIT DRAIN W/PERFORATED STAINLESS STEEL COVER OVER DOME

TAG \_\_\_\_\_

Dimensional Data (inches and [ mm ]) are Subject to Manufacturing Tolerances and Change Without Notice



A-Pipe Size Inches	Approx. Wt. Lbs. [kg]	Dome Open Area Sq. In. [cm <sup>2</sup> ]
2-3-4-6 [51-76-102-152]	23 [10]	78 [503]

**ENGINEERING SPECIFICATION:** ZURN Z348-80 Dome type pit drain, Acid Resistant Epoxy Coated cast iron body with bottom outlet complete with combination membrane flashing clamp/gravel guard, low silhouette dome and perforated stainless steel cover over dome.

**OPTIONS** (Check/specify appropriate options)

**PIPE SIZE**

- 2-3-4-6 [51-76-102-152]
- 2-3-4-6 [51-76-102-152]
- 2-3-4-6 [51-76-102-152]
- 2-3-4-6 [51-76-102-152]
- 2-3-4 [51-76-102]

(Specify size/type) **OUTLET**

- \_\_\_ IC Inside Caulk
- \_\_\_ IG Inside Caulk w/Sealtrol Gskt.
- \_\_\_ IP Threaded
- \_\_\_ NH No-Hub
- \_\_\_ NL Neo-Loc

**'E' BODY HT. DIM.**

- 5 1/4 [133]
- 5 1/4 [133]
- 3 3/4 [95]
- 5 1/4 [133]
- 4 5/8 [117]

**PREFIXES**

- \_\_\_ Z A.R.C. Body, Clamping Collar and Dome\*

**SUFFIXES**

- \_\_\_ -TC Neo-Loc Test Cap Gasket  
(2 [51]-4 [102] NL Bottom Outlet Only)

\*REGULARLY FURNISHED UNLESS OTHERWISE SPECIFIED

<b>REV.</b>	<b>DATE: 11/9/05</b>	<b>C.N. NO. 94187</b>
<b>DWG. NO. P-15224 PRODUCT NO. Z348-80</b>		

ZURN INDUSTRIES, INC. ♦ SPECIFICATION DRAINAGE OPERATION ♦ 1801 Pittsburgh Ave. ♦ Erie, PA 16514

Phone: 814/455-0921 ♦ Fax: 814/454-7929 ♦ World Wide Web: www.zurn.com

In Canada: ZURN INDUSTRIES LIMITED ♦ 3544 Nashua Drive ♦ Mississauga, Ontario L4V1L2 ♦ Phone: 905/405-8272 Fax: 905/405-1292