



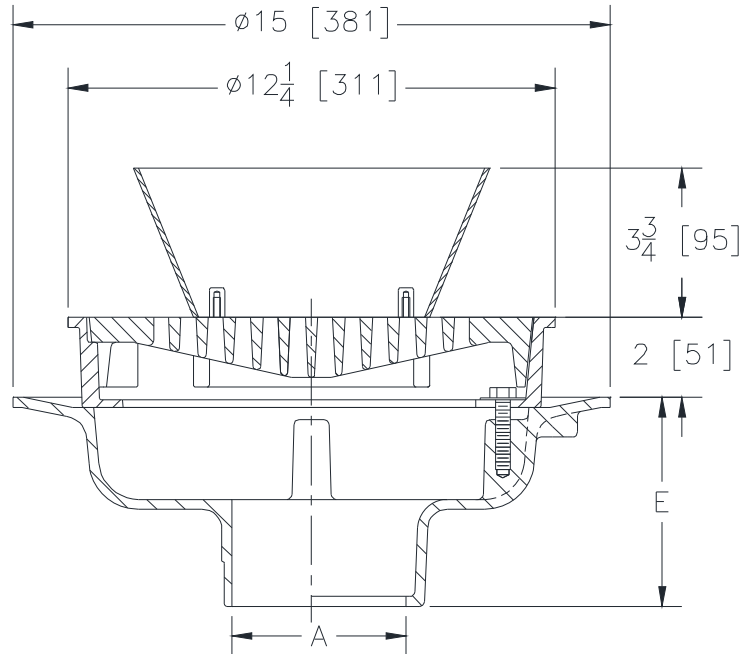
Z505-86

12 [305] HEAVY DUTY DRAIN WITH Z329 FUNNEL

SPECIFICATION SHEET

TAG _____

Dimensional Data (inches and [mm]) are Subject to Manufacturing Tolerances and Change Without Notice



A- Pipe Size In.	Approx. Wt. Lbs. [kg]	Grate Open Area Sq. In. [cm ²]
2,3,4,5,6 [51,76,102,127,152]	42 [19]	30 [194]
8,10 [203,254]	44 [20]	

ENGINEERING SPECIFICATION: ZURN Z505-86

12 [305] Diameter top drain. Dura-Coated cast iron body with bottom outlet, seepage pan and combination membrane flashing clamp and frame for heavy duty deep flange slotted grate, complete with Z329 funnel.

OPTIONS (Check/specify appropriate options)

PIPE SIZE	(Specify size/type)	OUTLET	'E' BODY HT. DIM.
2,3,4,5,6,8,10 [51,76,102,127,152,203,254]	_____	IC Inside Caulk	5-1/4 [133]
2,3,4,6 [51,76,102,152]	_____	IG Inside Gasket	5-1/4 [133]
2,3,4,5,6,8,10 [51,76,102,127,152,203,254]	_____	IP Threaded	3-3/4 [95]
2,3,4,5,6,8,10 [51,76,102,127,152,203,254]	_____	NH No-Hub	5-1/4 [133]
2,3,4 [51,76,102]	_____	NL Neo-Loc	4-5/8 [117]

PREFIXES

- _____ Z D.C.C.I. Body and Top with Funnel*
- _____ ZB D.C.C.I. Body with Polished Bronze Top (Add 3/16 [5] to 2 [51] Dim. and 3/4 [20] to 12-1/4 [311] Dim.) and Funnel
- _____ ZN D.C.C.I. Body with Polished Nickel Bronze Top (Add 3/16 [5] to 2 [51] Dim. and 3/4 [20] to 12-1/4 [311] Dim.) and Funnel

SUFFIXES

- | | |
|---|---|
| _____ -AR Acid Resisting Epoxy Coated Cast Iron | _____ -SS Stainless Mesh Liner for Bucket |
| _____ -D Dome Grate | _____ -T Square Top |
| _____ -DG Duresist Grate | _____ -TC Neo-Loc Test Cap Gasket |
| _____ -F Extension Frame | (2 [51]-4 [102] NL Bottom Outlet Only) |
| (Specify Total Height Req'd.) | _____ -TS Top Secured with Slotted Screws |
| _____ -G Galvanized Cast Iron | _____ -V Backwater Valve (See Z1099) |
| _____ -HP Heel-Proof Grate | _____ -VP Vandal-Proof Secured Top |
| _____ -HT Square Hinged Grate | _____ -Y Sediment Bucket |
| _____ -P Trap Primer Connection | _____ -90 90° Threaded Side Outlet Body |
| _____ -S Secondary Strainer | (2 [51] - 6 [152] Only) |
| _____ -SA Stabilizer Assembly (See Z1036) | |
| _____ -SC Solid Cover | |

* Regularly furnished unless otherwise specified.