



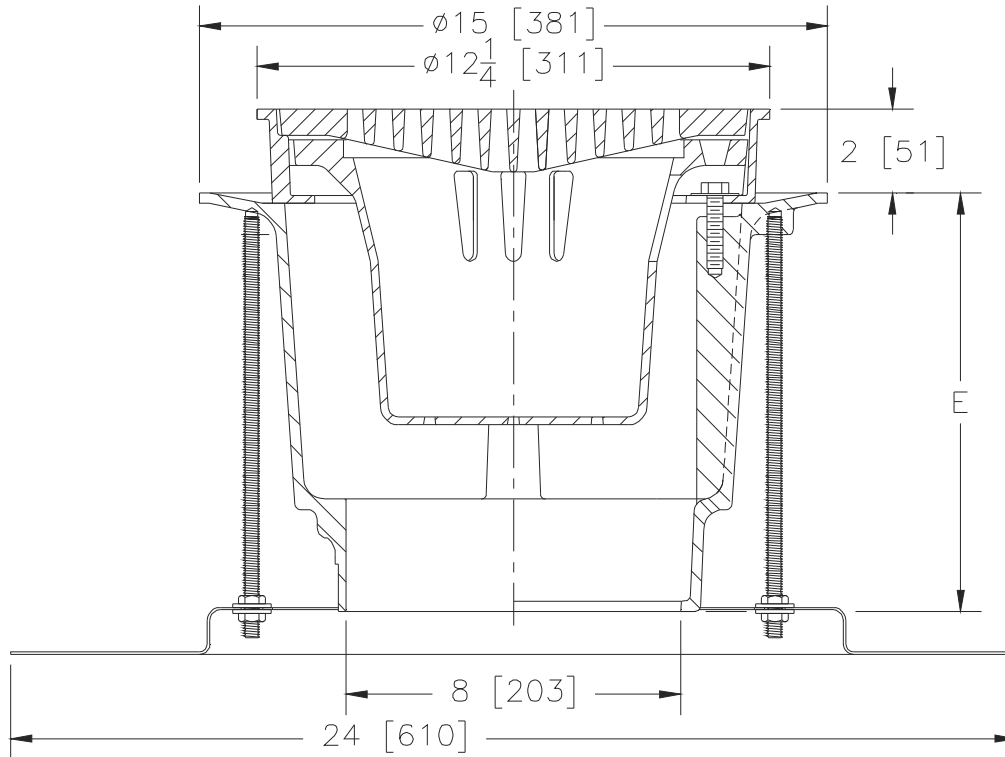
Z539-95

12 [305] HEAVY-DUTY DRAIN WITH DEEP SUMP & STABILIZER PLATE

SPECIFICATION SHEET

TAG _____

Dimensional Data (inches and [mm]) are Subject to Manufacturing Tolerances and Change Without Notice



A- Pipe Size In. [mm]	Approx. Wt. Lbs. [kg]	Grate Open Area Sq. In. [cm ²]
3, 4, 6 [76, 102, 152]	68 [31]	30 [194]
8 [203]		

ENGINEERING SPECIFICATION: ZURN Z539-95

12" [305mm] Diameter top drain, Dura-Coated cast iron deep sump body with bottom outlet, seepage pan and combination membrane flashing clamp and frame for sediment bucket, heavy-duty slotted grate, and stabilizer plate.

OPTIONS (Check/specify appropriate options)

PIPE SIZE

- 3, 4, 6 [76, 102, 152]
- 3, 4, 6 [76, 102, 152]
- 3, 4, 6, 8 [76, 102, 152, 203]
- 3, 4 [76, 102]

(Specify size/type) **OUTLET**

- ___ IC Inside Caulk
- ___ IG Inside Gasket
- ___ NH No-Hub
- ___ NL Neo-Loc

'E' BODY HT. DIM.

- 10 [254]
- 10 [254]
- 10 [254]
- 9-5/16 [237]

PREFIXES

- ___ Z D.C.C.I. Body and Top*
- ___ ZB D.C.C.I. Body with Polished Bronze Top (Add 3/16 [5] to 2 [51] Dim. and 3/4 [20] to 12-1/4 [311] Dim.)
- ___ ZN D.C.C.I. Body with Polished Nickel Bronze Top (Add 3/16 [5] to 2 [51] Dim. and 3/4 [20] to 12-1/4 [311] Dim.)

SUFFIXES

- ___ -DG Duresist Grate
- ___ -G Galvanized Cast Iron
- ___ -H Hinged Grate
- ___ -HP Heel-Proof Grate
- ___ -SS Stainless Steel Mesh Liner for Bucket
- ___ -T Square Top
- ___ -TC Neo-Loc Test Cap Gasket (3-4 [76-102] NL Outlets only)
- ___ -TS Top Secured with Slotted Screws
- ___ -VP Vandal-Proof Secured Top
- ___ -YF Free Standing Bucket

* Regularly furnished unless otherwise specified.