



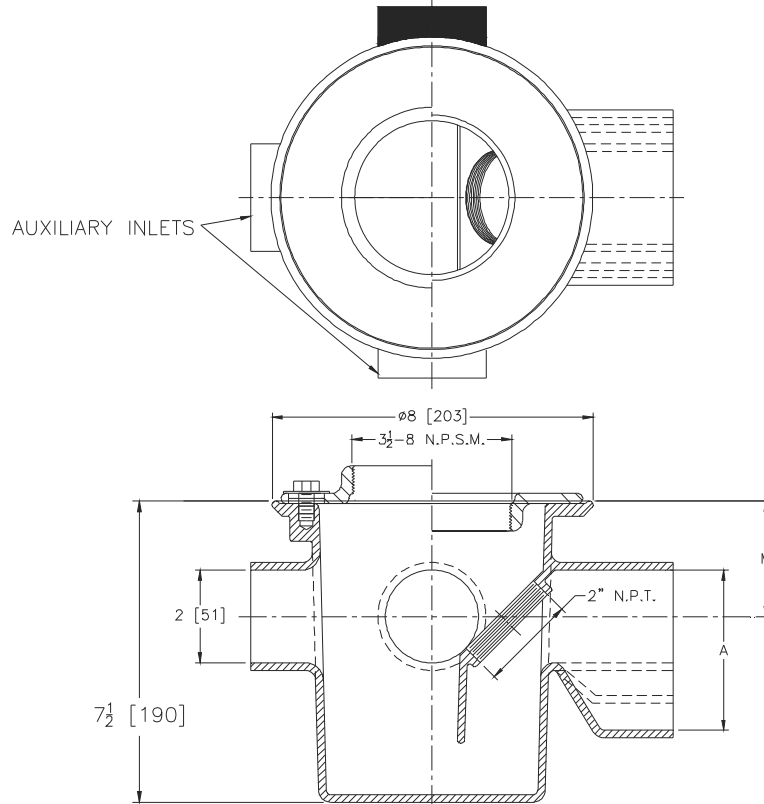
Z356-99

ADJUSTABLE FLOOR DRAIN WITH TRAP AND 2 AUXILIARY INLETS

SPECIFICATION SHEET

TAG _____

Dimensional Data (inches and [mm]) are Subject to Manufacturing Tolerances and Change Without Notice



Dimensions In Inches		Approx. Wt. Lbs. [kg]
A-Pipe Size	M	
2 [51]	2-7/8 [73]	18 [8]
3 [76]	3-3/8 [86]	
4 [102]	3-23/32 [94]	

ENGINEERING SPECIFICATION: ZURN Z356-99

Adjustable floor drain with trap, Dura-Coated cast iron body with integral trap seal and 2 Auxiliary Inlets, complete with plastic cleanout plug, and invertable collar.

OPTIONS (Check/specify appropriate options)

PIPE SIZE

2-3-4 [51-76-102]

(Specify size/type) **OUTLET**

_____ NH No-Hub

PREFIXES

_____ Z D.C.C.I. Body

SUFFIXES

- _____ -AR Acid Resisting Epoxy Coated Cast Iron
- _____ -BP Bronze Plug
- _____ -G Galvanized Cast Iron

* Regularly furnished unless otherwise specified.