



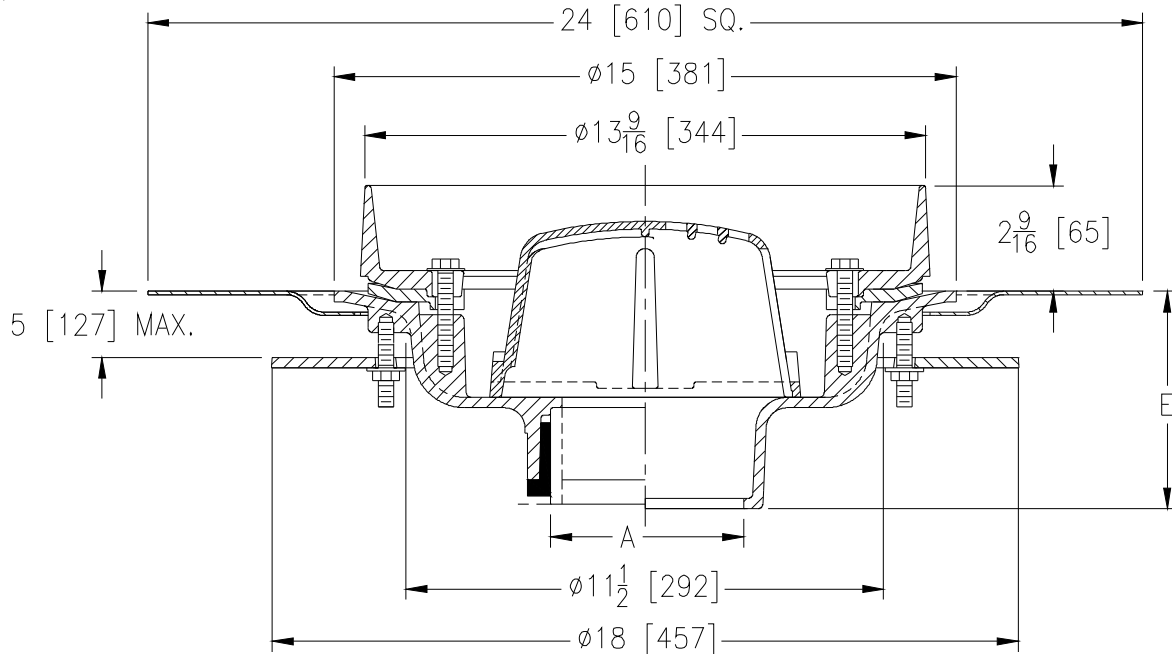
# Z108-76

## 15 [381] DIAMETER DECK RECEPTOR W/ UNDERDECK CLAMP, ROOF SUMP RECEIVER & SECONDARY CLAMP COLLAR

SPECIFICATION SHEET

TAG \_\_\_\_\_

Dimensional Data (inches and [ mm ]) are Subject to Manufacturing Tolerances and Change Without Notice



A-Pipe Size Inches	Approx. Wt. Lbs. [kg]
2-3-4 [51-76-102]	41 [19]
5-6 [127 - 152]	39 [18]
8 [203]	42 [19]

### ENGINEERING SPECIFICATION: ZURN Z108-76

15 [381] Diameter roof drain, Dura-Coated cast iron body with combination membrane flashing clamp, secondary clamp collar, deck receptor frame, underdeck clamp, roof sump receiver and internal bottom dome strainer.

### OPTIONS (Check/specify appropriate options)

#### PIPE SIZE

- 2 thru 6, 8 [51 thru 152, 203]
- 2 thru 6, 8 [51 thru 152, 203]
- 2 thru 6, 8 [51 thru 152, 203]
- 2 thru 4 [51 thru 102]

#### (Specify size/type) OUTLET

- \_\_\_\_\_ IC Inside Caulk
- \_\_\_\_\_ IP Threaded
- \_\_\_\_\_ NH No-Hub
- \_\_\_\_\_ NL Neo-Loc

#### 'E' BODY HT. DIM.

- 5 1/4 [133]
- 3 3/4 [95]
- 5 1/4 [133]
- 4 5/8 [117]

#### PREFIXES

- \_\_\_\_\_ Z D.C.C.I. Body with Collar\*

#### SUFFIXES

- \_\_\_\_\_ -AR Acid Resistant Epoxy Coated Finish
- \_\_\_\_\_ -E Static Extension 1 [25] thru 4 [102] (Specify Ht.)
- \_\_\_\_\_ -EA Adjustable Extension Assembly  
1 3/4 [44] thru 3 1/2 [89]
- \_\_\_\_\_ -FG Flush Grate
- \_\_\_\_\_ -G Galvanized Cast Iron
- \_\_\_\_\_ -TC Neo-Loc Test Cap Gasket  
(2 [51] - 4 [102] NL Bottom Outlet Only)
- \_\_\_\_\_ -90 90° Threaded Side Outlet Body  
(2 thru 6 [51 thru 152])

REV. \_\_\_\_\_ DATE: 11/30/04 C.N. NO. 92756

DWG. NO. P-15104 PRODUCT NO. Z108-76

\*REGULARLY FURNISHED UNLESS OTHERWISE SPECIFIED

ZURN INDUSTRIES, INC. ♦ SPECIFICATION DRAINAGE OPERATION ♦ 1801 Pittsburgh Ave. ♦ Erie, PA 16514

Phone: 814/455-0921 ♦ Fax: 814/454-7929 ♦ World Wide Web: www.zurn.com

In Canada: ZURN INDUSTRIES LIMITED ♦ 3544 Nashua Drive ♦ Mississauga, Ontario L4V1L2 ♦ Phone: 905/405-8272 Fax: 905/405-1292