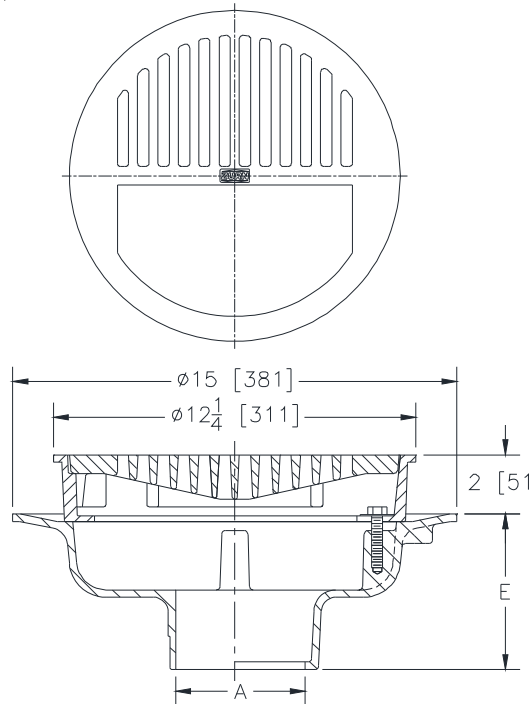




# Z505-99

## 12 [305] HEAVY-DUTY DRAIN WITH HALF GRATE

Dimensional Data (inches and [ mm ]) are Subject to Manufacturing Tolerances and Change Without Notice



A-Pipe Size In. [mm]	Aprox. Wt. Lbs. [kg]	Grate Open Area Sq. In. [cm <sup>2</sup> ]
2,3,4,6 [51,76,102,152]	38 [17]	47 [303]
8,10 [203,254]	40 [18]	

**ENGINEERING SPECIFICATION: ZURN Z505-99**

12-1/4" [311mm] Diameter top drain. Dura-Coated cast iron body with bottom outlet, seepage pan and combination membrane flashing clamp and frame for heavy duty deep flange half grate.

**OPTIONS** (Check/specify appropriate options)

**PIPE SIZE**

- 2,3,4,6,8,10 [51,76,102,152,203,254]
- 2,3,4,6 [51,76,102,152]
- 2,3,4,6,8,10 [51,76,102,152,203,254]
- 2,3,4,6,8,10 [51,76,102,152,203,254]
- 2,3,4 [51,76,102]

(Specify size/type) **OUTLET**

- \_\_\_ IC Inside Caulk
- \_\_\_ IG Inside Gasket
- \_\_\_ IP Threaded
- \_\_\_ NH No-Hub
- \_\_\_ NL Neo-Loc

**'E' BODY HT. DIM.**

- 5-1/4 [133]
- 5-1/4 [133]
- 3-3/4 [95]
- 5-1/4 [133]
- 4-5/8 [117]

**PREFIXES**

- \_\_\_ ZB D.C.C.I. Body with Polished Brass Top
- \_\_\_ ZS D.C.C.I. Body with Polished Stainless Steel Top\*

**SUFFIXES**

- |   |   |
|---|---|
| ___ -AR Acid Resisting Epoxy Coated Cast Iron | ___ -TC Neo-Loc Test Cap Gasket           |
| ___ -F Extension Frame                        | (2,3,4 [51,76,102] NL Bottom Outlet Only) |
| (Specify Total Height Req'd.)                 | ___ -TS Top Secured with Slotted Screws   |
| ___ -G Galvanized Cast Iron                   | ___ -V Backwater Valve (See Z1099)        |
| ___ -P Trap Primer Connection                 | ___ -VP Vandal-Proof Secured Top          |
| ___ -S Secondary Strainer                     | ___ -Y Sediment Bucket                    |
| ___ -SA Stabilizer Assembly (See Z1036)       | ___ -90 90° Threaded Side Outlet Body     |
| ___ -SS Stainless Mesh Liner for Bucket       | (2,3,4,6 [51,76,102,152] Only)            |

\* Regularly furnished unless otherwise specified.