

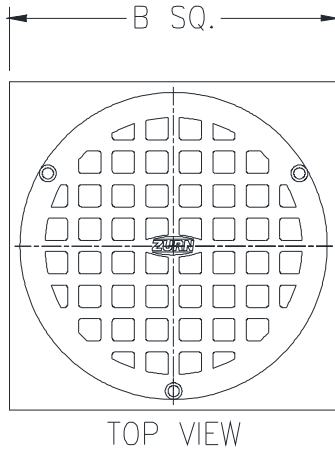


**Z415I-87**  
**BODY ASSEMBLY**  
**W/ "TYPE I" STRAINER WITH SQUARE REVEAL**

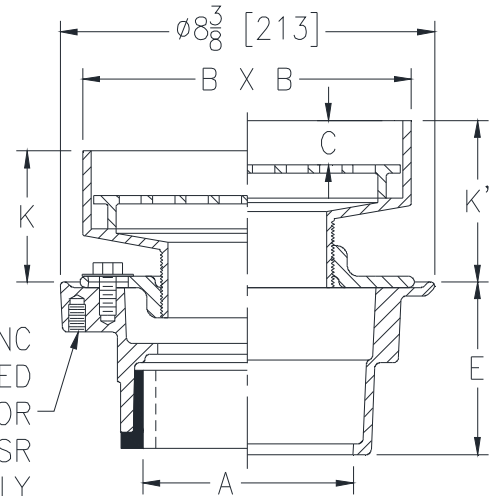
**SPECIFICATION SHEET**

**TAG \_\_\_\_\_**

Dimensional Data (inches and [ mm ]) are Subject to Manufacturing Tolerances and Change Without Notice



FOUR 3/8-16 NC  
 TAPPINGS PROVIDED  
 ON UNDERSIDE FOR  
 -SA, -SQ, AND -SR  
 SUFFIX OPTIONS ONLY



Dimensions In Inches [mm]							Approx. Wt. Lbs. [kg]	Strainer Open Area Sq. In. [cm <sup>2</sup> ]
A - Pipe Size	B Strainer Sq.	C	K		K'			
			Min.	Max.	Min.	Max.		
2,3 [51,76]	5-7/16 [138]	7/8 [22]	1-9/16 [40]	2-5/8 [67]	2-1/8 [54]	3-3/8 [86]	14 [6]	8 [52]
2,3,4 [51,76,102]	7-3/8 [187]	1 [25]	2-9/16 [65]	3-3/8 [86]	2-7/8 [73]	4-1/8 [105]	19 [9]	13 [84]
3,4 [76,102]	9 [229]	1/2 [13]	2-3/16 [56]	3-1/8 [79]	2-5/8 [67]	3-7/8 [98]	23 [10]	23 [148]
6 [152]	9 [229]	1/2 [13]	2-3/16 [56]	3-1/8 [79]	2-5/8 [67]	3-7/8 [98]	23 [10]	23 [148]

**ENGINEERING SPECIFICATION: ZURNZN415I-87**

Floor and shower drain, Dura-Coated cast iron body with bottom outlet, combination invertible membrane clamp and adjustable collar with seepage slots and square reveal. "TYPE I" polished nickel bronze strainer with raised flange.

**OPTIONS** (Check/specify appropriate options)

**PIPE SIZE**

- 2,3,4 [51,76,102]
- 2,3,4 [51,76,102]
- 2 [51]
- 3 [76]
- 4 [102]
- 6 [152]
- 2,3,4 [51,76,102]
- 2,3,4 [51,76,102]

(Specify size/type) **OUTLET**

- \_\_\_\_\_ IC Inside Caulk
- \_\_\_\_\_ IG Inside Gasket
- \_\_\_\_\_ IP Threaded
- \_\_\_\_\_ IP Threaded
- \_\_\_\_\_ IP Threaded
- \_\_\_\_\_ IP Threaded
- \_\_\_\_\_ NH No-Hub
- \_\_\_\_\_ NL Neo-Loc

**'E' BODY HT. DIM.**

- 3-7/8 [98]
- 3-7/8 [98]
- 2-3/8 [60]
- 2-5/8 [67]
- 2-7/8 [73]
- 2-3/4 [70]
- 3-7/8 [98]
- 3-3/4 [95]

**PREFIXES**

- \_\_\_\_\_ ZB D.C.C.I. Body Assembly w/ Polished Bronze Top
- \_\_\_\_\_ ZN D.C.C.I. Body Assembly w/ Polished Nickel Bronze Top\*

**SUFFIXES**

- \_\_\_\_\_ -AR Acid Resisting Epoxy Coated Cast Iron
- \_\_\_\_\_ -G Galvanized Cast Iron
- \_\_\_\_\_ -P Trap Primer Connection (Specify 1/2 [13] or 3/4 [19])
- \_\_\_\_\_ -SA Stabilizer Assembly (See Z1035)
- \_\_\_\_\_ -SQ Stabilizer Q-Deck (See Z1035-Q)
- \_\_\_\_\_ -SR Stabilizer Ring
- \_\_\_\_\_ -TC Neo-Loc Test Cap Gasket  
(2,3,4 [51,76,102] NL Bottom Outlet Only)
- \_\_\_\_\_ -TS Top Secured with Slotted Screws

- \_\_\_\_\_ -U 1 - 3 [25 - 76] High Extension Adapter
- \_\_\_\_\_ -V Backwater Valve
- \_\_\_\_\_ -VP Vandal-Proof Secured Top
- \_\_\_\_\_ -Y Sediment Bucket
- \_\_\_\_\_ -18 Leveling Ring (See Z400-18)
- \_\_\_\_\_ -90 90° Threaded Side Outlet Body  
Assembly (2 [51], 3 [76] Only)

\* Regularly furnished unless otherwise specified.