

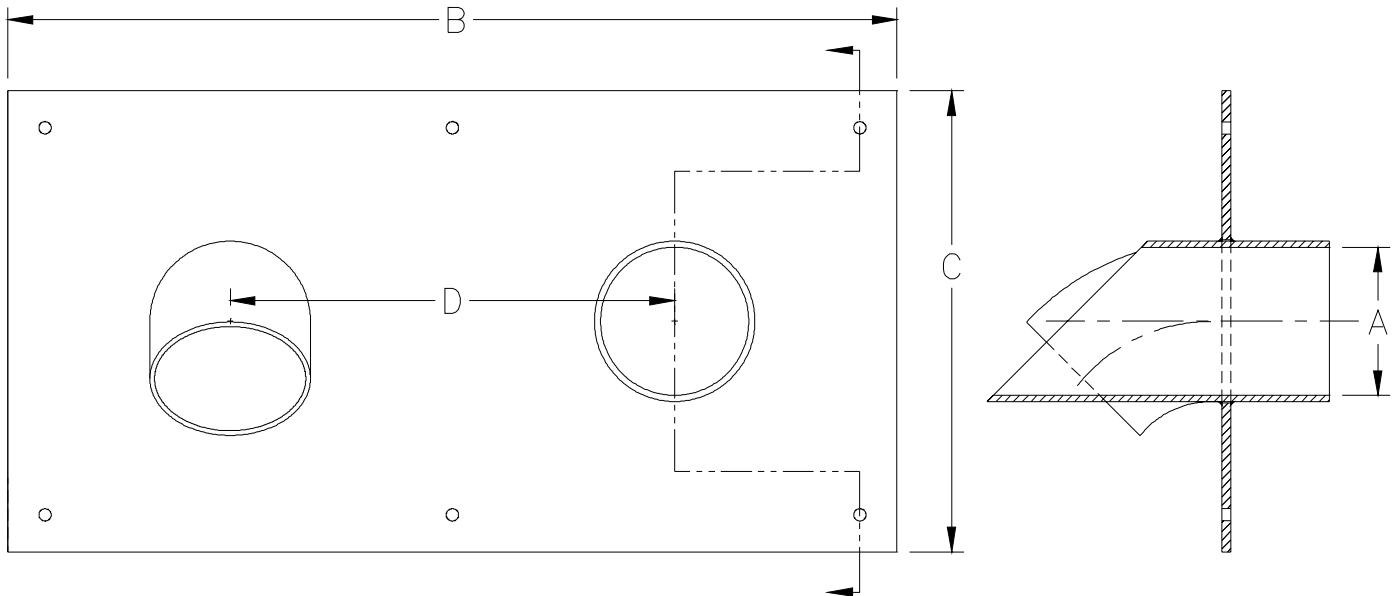


# Z199-81 FABRICATED HORIZONTAL DOWNSPOUT NOZZLES W/ MOUNTING HOLES

SPECIFICATION SHEET

TAG \_\_\_\_\_

Dimensional Data (inches and [ mm ]) are Subject to Manufacturing Tolerances and Change Without Notice



A Pipe Size	Dimensions In Inches		
	B	C	D
6 [152]	23 11/16 [602]	12 [305]	12 [305]
8 [203]	23 11/16 [602]	12 [305]	12 [305]
10 [254]	25 11/16 [652]	14 [356]	13 [330]

**ENGINEERING SPECIFICATION: ZURN Z199-81**  
Dual horizontal discharge downspout nozzels, All type 304 stainless steel with (6) mounting holes.

**OPTIONS** (Check/specify appropriate options)

**PIPE SIZE**

6 - 8 - 10 [152 - 203 - 254]

(Specify size) **OUTLET**

\_\_\_ NH No-Hub

**PREFIXES**

\_\_\_ ZS Type 304 Stainless Steel\*

REV. A	DATE: 1/19/05	C.N. NO. 92871
DWG. NO. P-15096 PRODUCT NO. Z199-81		

\*REGULARLY FURNISHED UNLESS OTHERWISE SPECIFIED