



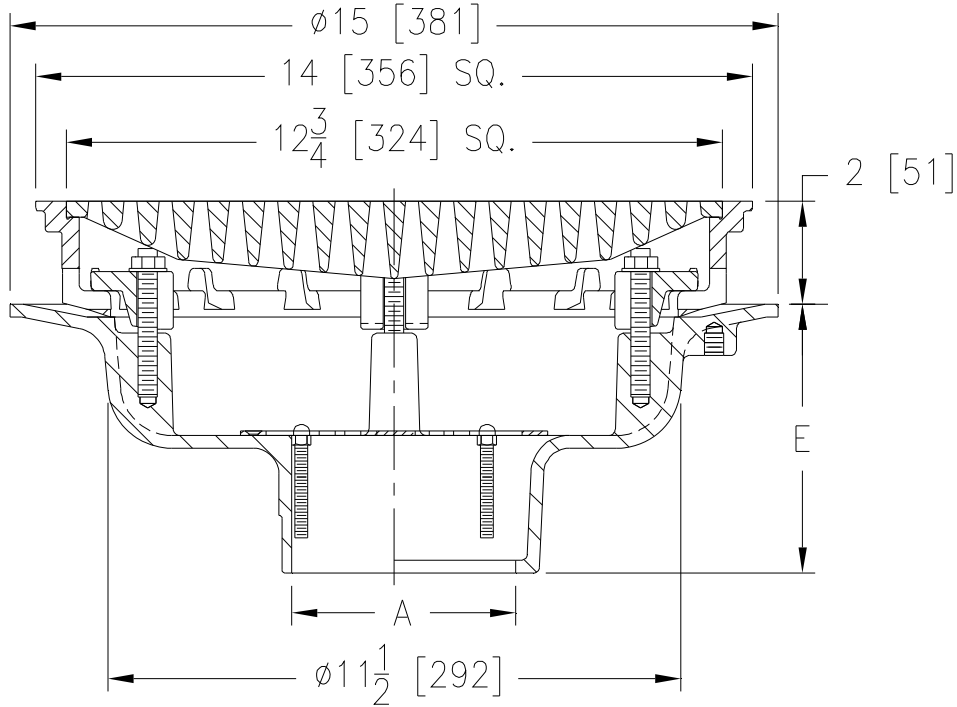
Z150-S

14 [356] SQUARE TOP PROM-DECK DRAIN W/ SECONDARY STRAINER, HEEL PROOF GRATE, AND ROTATABLE FRAME

SPECIFICATION SHEET

TAG _____

Dimensional Data (inches and [mm]) are Subject to Manufacturing Tolerances and Change Without Notice



A Pipe Size in [mm]	Approx Wt. lbs [kg]	Grate Open Area in ² [cm ²]
2,3,4 [51,76,102]	53 [24]	44 [284]
6 [152]		
8 [203]	54 [24]	

ENGINEERING SPECIFICATION: ZURN Z150-S

14" [356mm] Square Top Prom-Deck drain, Dura-Coated cast iron body with rotatable square promenade frame with seepage openings, frame clamps, heavy-duty heel proof grate, and secondary strainer.

OPTIONS (Check/specify appropriate options)

PIPE SIZE

- 2,3,4,6 [51,76,102,152]
- 2,3,4,6, 8 [51,76,102,152,203]
- 2,3,4,6, 8 [51,76,102,152,203]
- 2,3,4 [51,76,102]

PREFIXES

- ___ Z D.C.C.I. Body with Top*
- ___ ZB D.C.C.I. Body with Polished Bronze Top (Add 3/16 [5] to 2 [51] dim and 3/8 [10] to 14 [356] dim)
- ___ ZN D.C.C.I. Body with Polished Nickel Bronze Top (Add 3/16 [5] to 2 [51] dim and 3/8 [10] to 14 [356] dim)

SUFFIXES

- | | |
|---|--|
| ___ -AR Acid Resistant Epoxy Coated | ___ -EB Top-Set® Adjustable Extension Assembly |
| ___ -C Underdeck Clamp | ___ -G Galvanized Cast Iron |
| ___ -DE Deck Extension (Includes Deck Plate -DP) | ___ -R Roof Sump Receiver |
| ___ -DG Duresist Grate | ___ -SC Secondary Clamping Collar |
| ___ -DP Top-Set® Roof Deck Plate
(Replaces both -C and -R) | ___ -TC Neo-Loc Test Cap Gasket
(2,3,4 [51,76,102] NL Bottom Outlet Only) |
| ___ -DR Top-Set® Drain Riser | ___ -TS Top Secured with Slotted Screws |
| ___ -DT Decorative Polished Top (ZN and ZB Only) | ___ -VP Vandal Proof Secured Top |
| ___ -E Static Extension 1 [25] thru 4 [102] (Specify Ht.) | ___ -XJ Vertical Expansion Joint (See Z190) |
| ___ -EA Adjustable Extension Assembly
2-1/8 [54] thru 3-1/2 [89] | ___ -Y Sediment Bucket |
| | ___ -85 Stainless Steel Perforated Extension |

(Specify size/type) OUTLET

- ___ IC Inside Caulk
- ___ IP Threaded
- ___ NH No-Hub
- ___ NL Neo-Loc

E BODY HT. DIM.

- 5-1/4 [133]
- 3-3/4 [95]
- 5-1/4 [133]
- 4-5/8 [117]

* Regularly furnished unless otherwise specified.