



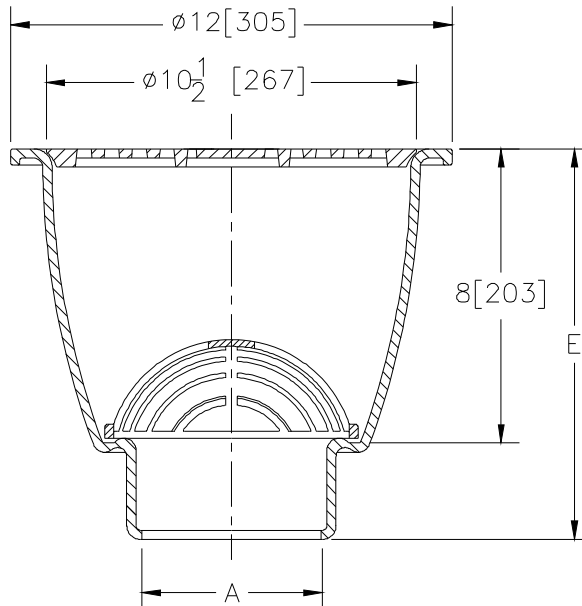
Z1950-33

12 [305] DIAMETER A.R.E. SANI-FLOR RECEPTOR
8 [203] SUMP DEPTH W/ WHITE A.R.C. DOME STRAINER

SPECIFICATION SHEET

TAG _____

Dimensional Data (inches and [mm]) are Subject to Manufacturing Tolerances and Change Without Notice



A - Pipe Size In. [mm]	Approx. Wt. Lbs. [kg]	Grate Open Area Sq. In. [cm ²]
2, 3, 4 [51, 76, 102]	39 [17]	22 [142]

ENGINEERING SPECIFICATION: ZURN Z1950-33

Sani-Flor receptor 12" [305mm] diameter x 8" [203mm] deep cast iron body and round slotted light duty grate, with white acid resisting porcelain enamel interior and top, black ground enamel exterior coating, and white A.R.C. anti-splash bottom dome strainer.

OPTIONS (Check/specify appropriate options)

PIPE SIZE	(Specify size/type)	OUTLET	'E' BODY HT. DIMENSION	
			Z	ZN
3, 4 [76, 102]	_____	IC Inside Caulk	10-5/8 [270]	11 [279]
2, 3, 4 [51, 76, 102]	_____	NH No-Hub	10-5/8 [270]	11 [279]
2, 3, 4 [51, 76, 102]	_____	NL Neo-Loc	10 [254]	10-3/8 [264]

PREFIXES

- _____ Z Cast Iron Body with White A.R.E. Interior*
- _____ ZN Cast Iron Body with White A.R.E. Interior, 12-1/2 [321] N.B. Frame and Full Grate with 1/4 [6] Square Openings

SUFFIXES

- _____ -K Anchor Flange with Seepage Holes
- _____ -KC Anchor Flange with Seepage Holes and Clamping Collar
- _____ -P 1/2 [13] Threaded Trap Primer Connection (See Z1023)
- _____ -TC Neo-Loc Test Cap Gasket (2, 3, 4 [51, 76, 102] NL Bottom Outlet Only)
- _____ -1 (Less) Grate
- _____ -2 1/2 Grate
- _____ -3 3/4 Grate
- _____ -4 Full Grate with 2 [51] Square Opening
- _____ -6 Grate w/ 6 [152] dia. x 6 [152] High Funnel
- _____ -8 Grate w/ 8-7/8 x 3-5/8 x 3-3/4 [225 x 92 x 95] High Oval Funnel
- _____ -11 Vandal Proof Secured Grate
- _____ -15 Solid Loose Set Cover

* Regularly furnished unless otherwise specified.