



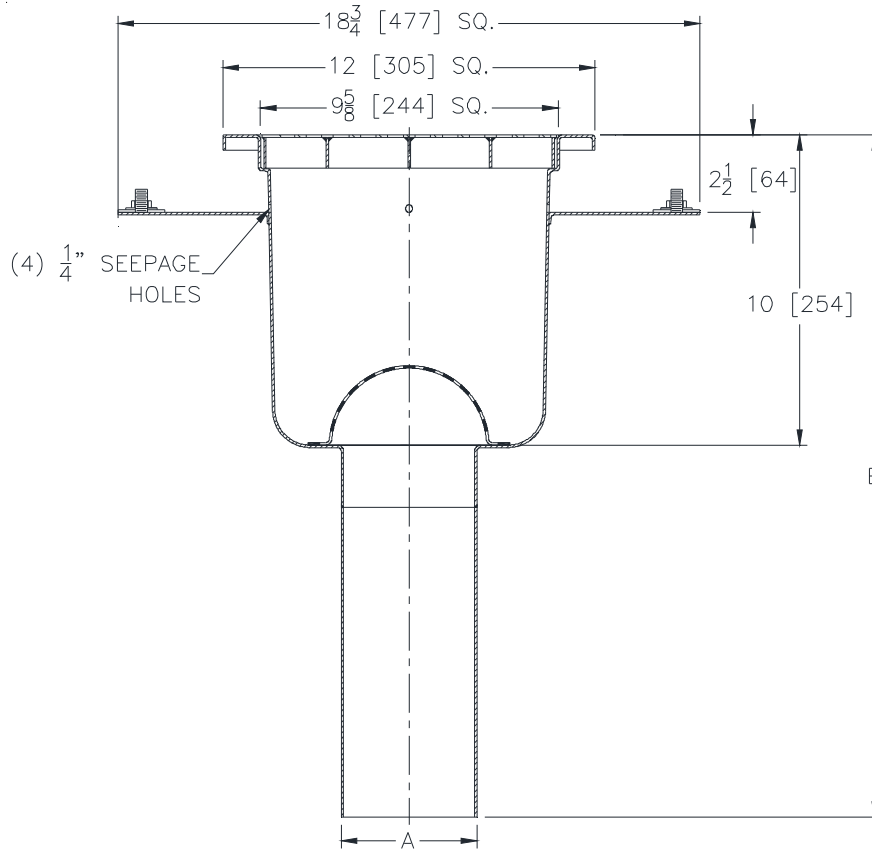
Z1752-148

12 X 12 [305 X 305] SANI-FLOR RECEPTOR
 10 [254] SUMP W/ CUSTOM ANCHOR FLANGE & 12
 [305] LONG OUTLET

SPECIFICATION SHEET

TAG _____

Dimensional Data (inches and [mm]) are Subject to Manufacturing Tolerances and Change Without Notice



A- Pipe Size In. [mm]	Approx. Wt. Lbs. [kg]	Grate Open Area Sq. In. [cm ²]
2,3,4 [51,76,102]	40 [18]	23 [148]
6 [152]	41 [19]	23 [148]

ENGINEERING SPECIFICATION: ZURN Z1752-148

12" x 12" x 10" [305mm x 305mm x 254mm] deep, 14 gage, All Type 304 (CF8) Stainless Steel light-duty Sani-Flor receptor with non-tilt, loose set full grate with 1/2" [13mm] square openings, anti-splash interior dome strainer, and custom anchor flange with seepage holes and clamp collar, & 12" [305mm] long outlet.

OPTIONS (Check/specify appropriate options)

PIPE SIZE

2,3,4,6 [51,76,102,152]

(Specify size/type) **OUTLET**

_____ NH No-Hub

'E' BODY HT. DIM.

22 [559]

PREFIXES

- _____ Z Type 304 (CF8) Stainless Steel Body*
- _____ ZM Type 316 (CF8M) Stainless Steel

SUFFIXES

- _____ -DX Dex-o-tex Flange
- _____ -HP Heel-Proof Grate
- _____ -LSH (Less) Seepage Holes
- _____ -SG Solid Gasketed Cover
- _____ -VP Vandal-Proof Secured Top
- _____ -Y Sediment Bucket
- _____ -YS Suspended Sediment Bucket
- _____ -1 (Less) Grate
- _____ -2 1/2 Grate
- _____ -3 3/4 Grate
- _____ -4 Full Grate with 3 [76] Square Center Opening
- _____ -5 Grate w/ 4 [102] Dia. x 3-3/4 [95] High 304 S.S. Funnel
- _____ -8 Grate w/ 9 [229] Dia. x 3-1/2 [90] High 304 S.S. Oval Funnel
- _____ -15 Solid Cover
- _____ -16 1/2 Solid Cover
- _____ -17 3/4 Solid Cover
- _____ -18 Solid Cover w/ 3 [76] Square Center Opening
- _____ -19 Full Hinged Grate
- _____ -20 Full Hinged Solid Cover

* Regularly furnished unless otherwise specified.