

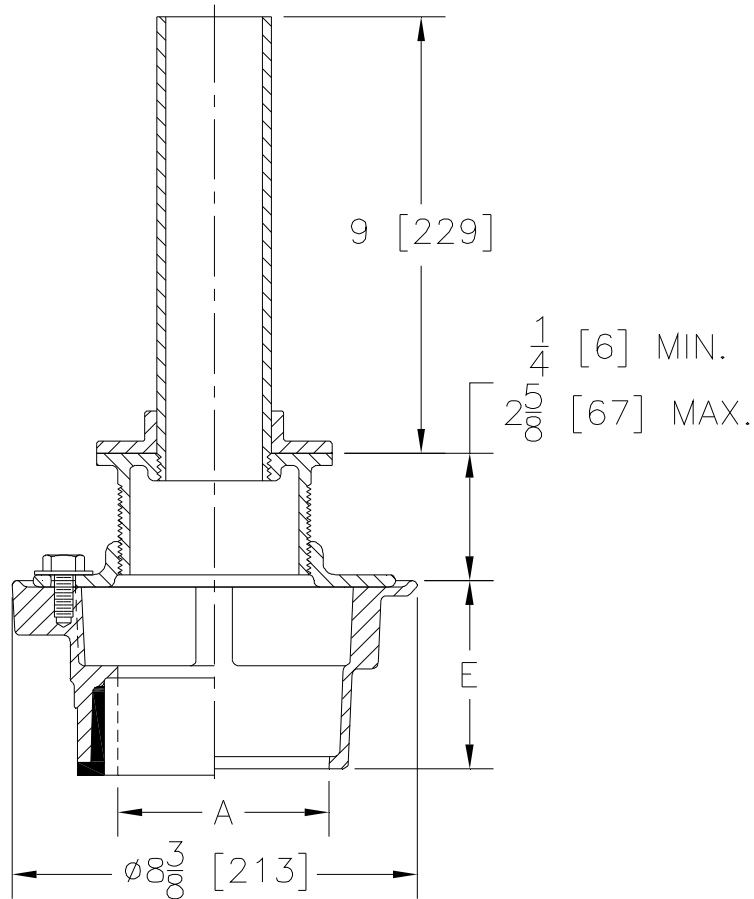


Z350-78 OVERFLOW DRAIN

SPECIFICATION SHEET

TAG _____

Dimensional Data (inches and [mm]) are Subject to Manufacturing Tolerances and Change Without Notice



A-Pipe Size Inches	Approx. Wt. Lbs. [kg]
2-3-4 [52-76-102]	22 [10]

ENGINEERING SPECIFICATION: ZURN Z350-78 Overflow Drain, Dura-Coated cast iron body with bottom outlet and combination invertible membrane clamp, vertically adjustable bronze head with clamp collar, and 2 [51] diameter solid standpipe.

OPTIONS (Check/specify appropriate options)

PIPE SIZE	(Specify size/type) OUTLET	'E' BODY HT. DIM.
2-3-4 [51-76-102]	___ IC Inside Caulk	3 7/8 [98]
2-3-4 [51-76-102]	___ IG Inside Caulk w/Sealtrol Gskt.	3 7/8 [98]
2-3-4 [51-76-102]	___ IP Threaded	2 5/8 [67]
2-3-4 [51-76-102]	___ NH No-Hub	3 7/8 [98]
2-3-4 [51-76-102]	___ NL Neo-Loc	3 3/4 [95]

PREFIXES

- ___ ZB D.C.C.I Body w/Polished Standpipe*
- ___ ZN D.C.C.I Body w/Polished Nickel Bronze Standpipe

SUFFIXES

- ___ -C Underdeck Clamp
- ___ -G Galvanized Cast Iron
- ___ -P Trap Primer Connection
(Specify 1/2 [13] or 3/4 [19])

REV.	DATE: 8/21/07	C.N. NO. 97188
DWG. NO. P-15463 PRODUCT NO. Z350-78		

*REGULARLY FURNISHED UNLESS OTHERWISE SPECIFIED