

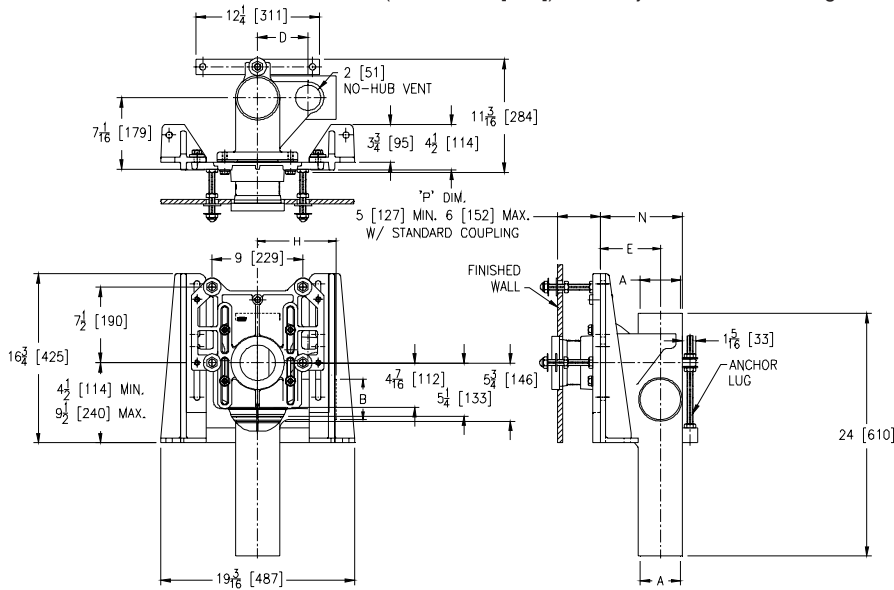


Z1204-1N-XH
ADJUSTABLE VERTICAL EXTRA-HEAVY-DUTY
750 LB. [340 KG.] SIPHON JET NO-HUB

SPECIFICATION SHEET

TAG _____

Dimensional Data (inches and [mm]) are Subject to Manufacturing Tolerances and Change Without Notice



Notes:

1. Feet and rear anchor bolted to floor using anchors capable of achieving the specified pull-out force.
2. Min. 'P' Dim. Obtainable=2 [51]
3. Back anchor foot mandatory for secure installation.
4. 2 [51] No-Hub vent connection regularly furnished on right hand side. Left hand available when specified (Suffix- VL)
5. Auxiliary inlet available right (-JR) or left (-JL) or both sides (-JJ) when specified.
6. Floor anchors each must be able to withstand a pull-out force of 796 lbs. [361 kg.] for 4 [102] fitting 767 lbs. [348 kg.] for 5 [127] fitting 710 lbs. [322 kg.] for 6 [152] fitting.

**PATENT
PENDING**

* PULL-OUT FORCES ARE CALCULATED VALUES WITH STANDARD COUPLING ASSEMBLY. NO SAFETY FACTOR HAS BEEN APPLIED.

PRODUCT No.	Dimensions In Inches						Approx. Wt. Lbs. [kg]
	A	B	D	E	H	N	
Z1204-1NL4/1NR4-XH	4 [102]	4 [102]	5 [127]	6 5/8 [168]	5 1/2 [140]	8 7/8 [225]	101 [46]
Z1204-1NL43/1NR43-XH	4 [102]	3 [76]	5 [127]	6 5/8 [168]	5 1/2 [140]	8 7/8 [225]	101 [46]
Z1204-1NL54/1NR54-XH	5 [127]	4 [102]	5 1/2 [140]	6 5/8 [168]	6 [151]	9 3/8 [238]	106 [49]
Z1204-1NL55/1NR55-XH	5 [127]	5 [127]	5 1/2 [140]	6 5/8 [168]	6 1/2 [165]	9 3/8 [238]	106 [49]
Z1204-1NL64/1NR64-XH	6 [152]	4 [102]	6 [152]	7 1/8 [181]	6 1/2 [165]	10 3/8 [264]	111 [51]
Z1204-1NL65/1NR65-XH	6 [152]	5 [127]	6 [152]	7 1/8 [181]	7 [178]	10 3/8 [264]	111 [51]

ENGINEERING SPECIFICATION:

ZURN Z1204-1N-XH Extra-Heavy-Duty Adjustable 750 Lb. [340 kg.], vertical siphon jet water closet "Rigid System" with () No-Hub connections and optional side inlets. Dura-Coated cast iron main fitting, with 2 [51] vent, adjustable gasketed faceplate, floor mounted foot supports, corrosion resistant adjustable ABS coupling with integral test cap, fixture bolts, trim, and stud protectors. Complete with rear anchor tie down and bonded "Neo-Seal" gasket. Carrier complies with all applicable requirements of ASME A112.6.1M up to a 750-Lb. [340-kg.] load.

PRODUCT/DEFINITION

- ___ Z1204-1NL-XH No-Hub Stack, Single Inlet, (1) Left Hand Side Inlet, 2 [51] Left Hand Vent
- ___ Z1204-1NR-XH No-Hub Stack, Single Inlet, (1) Right Hand Side Inlet, 2 [51] Right Hand Vent

PREFIXES

- ___ Z D.C.C.I. System with Zurn "ZZ" Adjustable Coupling
- ___ ZQ D.C.C.I. System with NPT Face Plate, Non Adjustable Coupling

SUFFIXES

- ___ -BC Back Cleanout
- ___ -CC Cast Iron Coupling 6 [152] Long
- ___ -G Galvanized Cast Iron
- ___ -JJ 2 [51] Auxiliary Inlet
- ___ -JL 2 [51] Left Hand Auxiliary Inlet
- ___ -JR 2 [51] Right Hand Auxiliary Inlet
- ___ -VL Left Hand Vent Connection
- ___ -VP Vandal-Proof Trim
- ___ -W Adapter for Womens Urinal
- ___ -29 Mechanical Test Cap Assembly (Previously Z1210-29)
- ___ -45 Finishing Frame for Siphon Jet System (For Blowout System specify -45-B) (Previously Z1210-45)
- ___ -50 Flush Valve Supply Support for W.C. (Previously Z1210-50)
- ___ -61 "ZZ" Coupling Wrench

REV. A	DATE: 8/2/10	C.N. NO. 111458
DWG. NO. 83103	PRODUCT NO. Z1204-1N-XH	

*REGULARLY FURNISHED UNLESS OTHERWISE SPECIFIED