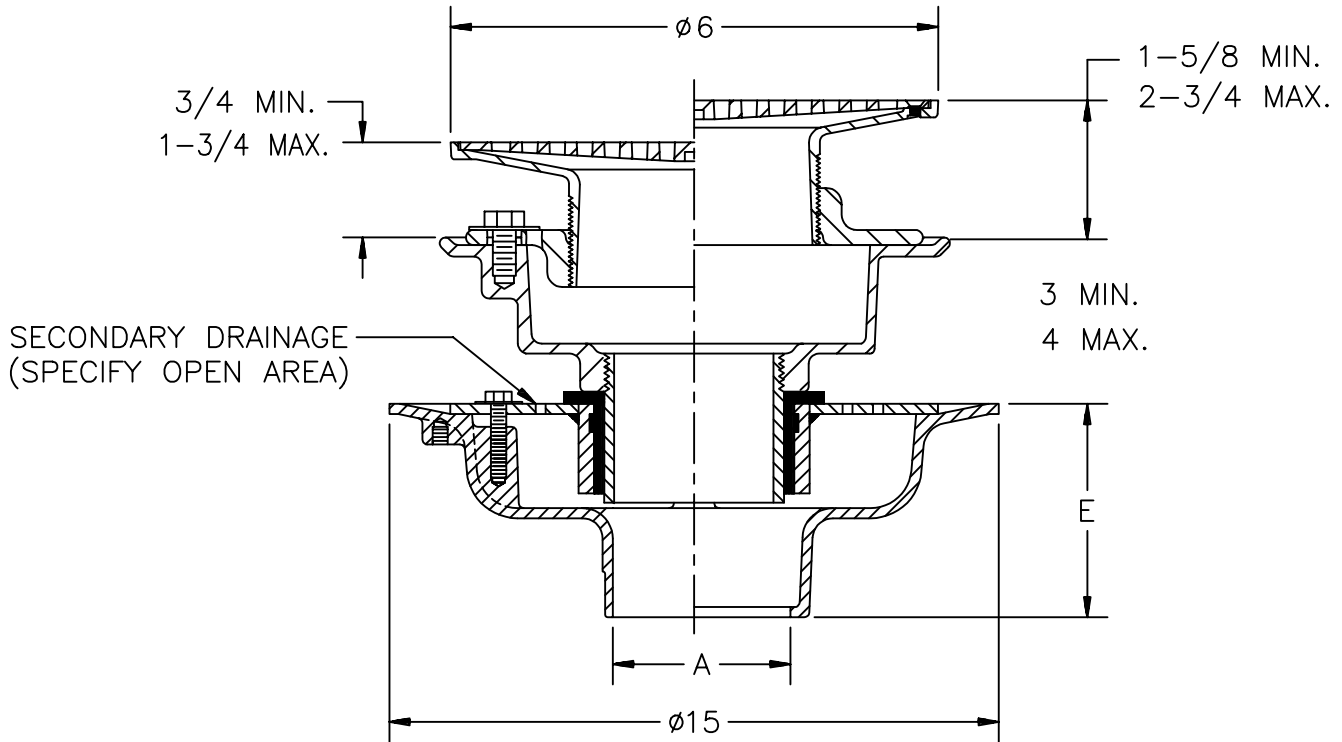




# Z-625-75 ISOLATION DECK ADJUSTABLE DRAIN

TAG \_\_\_\_\_

Dimensional Data (inches and [ mm ]) are Subject to Manufacturing Tolerances and Change Without Notice



A- Pipe Size In.	Approx. Wt. Lbs.	Grate Open Area Sq. In.
2-3-4	42	9
5-6		

**ENGINEERING SPECIFICATION: ZURN ZN-625-75**

Adjustable isolation deck drain, Dura-Coated cast iron upper and lower bodies, upper and lower clamp collars, lower collar with secondary drainage, neoprene flex gasket, isolation nipple and adjustable 6" diameter nickel bronze strainer.

**OPTIONS** (Check/specify appropriate options)

**OUTLET** (Specify type)

- \_\_\_ **IC** Inside Caulk
- \_\_\_ **IG** Inside Caulk w/Sealtrol Gskt.
- \_\_\_ **IP** Threaded
- \_\_\_ **NH** No-Hub
- \_\_\_ **NL** Neo-Loc
- \_\_\_ **NL** Neo-Loc

**PIPE SIZE** (Specify size)

- \_\_\_ 2" thru 6"
- \_\_\_ 2",3",4",6"
- \_\_\_ 2" thru 6"
- \_\_\_ 2" thru 6"
- \_\_\_ 2",3",4"
- \_\_\_ 5",6"

**'E' BODY HT. DIMENSION**

- \_\_\_ 5-1/4"
- \_\_\_ 5-1/4"
- \_\_\_ 3-3/4"
- \_\_\_ 5-1/4"
- \_\_\_ 4-5/8"
- \_\_\_ 5-1/2"

**PREFIXES**

- \_\_\_ **ZB-** D.C.C.I. Body with Polished Bronze Grate
- \_\_\_ **ZN-** D.C.C.I. Body with Polished Nickel Bronze Grate\*

**SUFFIXES**

- \_\_\_ **-C** Underdeck Clamp (Lower Body)
- \_\_\_ **-G** Galvanized Cast Iron
- \_\_\_ **-R** Sump Receiver (Lower Body)
- \_\_\_ **-J** 3" High Extension Adaptor (Upper Body)
- \_\_\_ **VP** Vandal Proof Secured Top
- \_\_\_ **-Y** Sediment Bucket (Upper Body)

\*REGULARLY FURNISHED UNLESS OTHERWISE SPECIFIED

<b>REV.</b>	<b>DATE: 11/2/93</b>	<b>C.N. NO. 69364</b>
<b>DWG. NO. P-13890</b>		<b>PRODUCT NO. Z-625-75</b>