



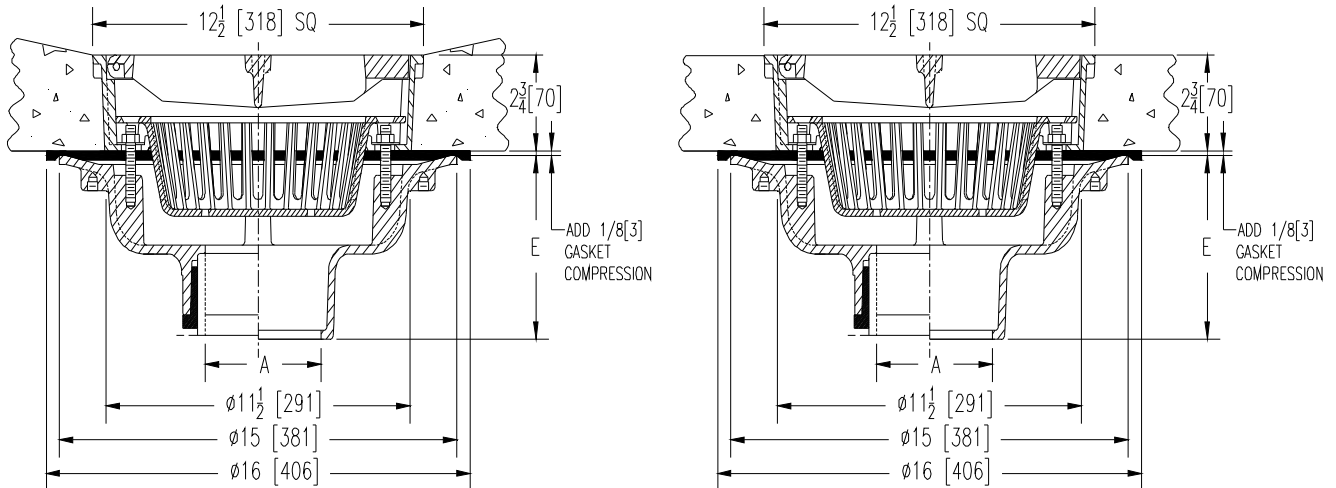
# Z610-118

12-1/2 [318] SQ. TOP HEAVY-DUTY DRAIN W/  
VANDAL-PROOF HINGED GRATE FOR PRECAST  
CONCRETE PARKING DECK SYSTEM

SPECIFICATION SHEET

TAG \_\_\_\_\_

Dimensional Data (inches and [ mm ]) are Subject to Manufacturing Tolerances and Change Without Notice



A Pipe Size In. [mm]	Approx. Wt. Lbs. [kg]	Grate Open Area Sq. In. [cm <sup>2</sup> ]
2,3,4,5,6 [51,76,102,127,152]	54 [24]	42 [271]
8,10 [203,254]	56 [25]	

### ENGINEERING SPECIFICATION: Z610-118

12-1/2" [318mm] Square Top drain, Dura-Coated cast iron body with bottom outlet, and combination membrane flashing clamp and frame with gasket seal, for cast iron heavy duty slotted vandal proof secured hinged grate with suspended polypropylene sediment bucket.

### OPTIONS (Check/specify appropriate options)

#### PIPE SIZE

2,3,4,5,6,8,10 [51,76,102,127,152, 203, 254]  
2,3,4,5,6 [51,76,102,127,152]  
2,3,4,5,6,8,10 [51,76,102,127,152, 203, 254]  
2,3,4,5,6,8,10 [51,76,102,127,152, 203, 254]  
2,3,4 [51,76,102]

#### (Specify size/type) OUTLET

\_\_\_ IC Inside Caulk  
\_\_\_ IG Inside Caulk w/Sealtrol Gskt.  
\_\_\_ IP Threaded  
\_\_\_ NH No-Hub  
\_\_\_ NL Neo-Loc

#### 'E' BODY HT. DIM.

5-1/4 [133]  
5-1/4 [133]  
3-3/4 [95]  
5-1/4 [133]  
4-5/8 [117]

#### PREFIXES

\_\_\_ Z D.C.C.I. Body and Top\*  
\_\_\_ ZB D.C.C.I Body w/Polished Bronze Top (Add 3/16 [5] to 2-3/4 [70] Dim. and 3/4 [19] to 12-1/2 [318] Dim.)  
\_\_\_ ZN D.C.C.I Body w/Polished Nickel Bronze Top (Add 3/16 [5] to 2-3/4 [70] Dim. and 3/4 [19] to 12-1/2 [318] Dim.)

#### SUFFIXES

\_\_\_ -AR Acid Resistant Epoxy Coated Cast Iron  
\_\_\_ -DX Dex-O-Tex Flange (ZB, ZN Only)  
\_\_\_ -F 2 [51] High Extension  
\_\_\_ -G Galvanized Cast Iron  
\_\_\_ -HC Hinged Solid Cover  
\_\_\_ -LY (Less) Sediment Bucket  
\_\_\_ -P Trap Primer Connection  
\_\_\_ -S Secondary Strainer  
\_\_\_ -SS Stainless Steel Mesh Liner for Bucket  
\_\_\_ -TC Neo-Loc Test Cap Gasket (2,3,4 [51,76,102] NL Bottom Outlet Only)  
\_\_\_ -V Backwater Valve (See Z1099)  
\_\_\_ -YA Aluminum Sediment Bucket  
\_\_\_ -YC Cast Iron Sediment Bucket  
\_\_\_ -90 90° Threaded Side Outlet Body (2,3,4,5,6 [51,76,102,127,152])

\* Regularly furnished unless otherwise specified.