



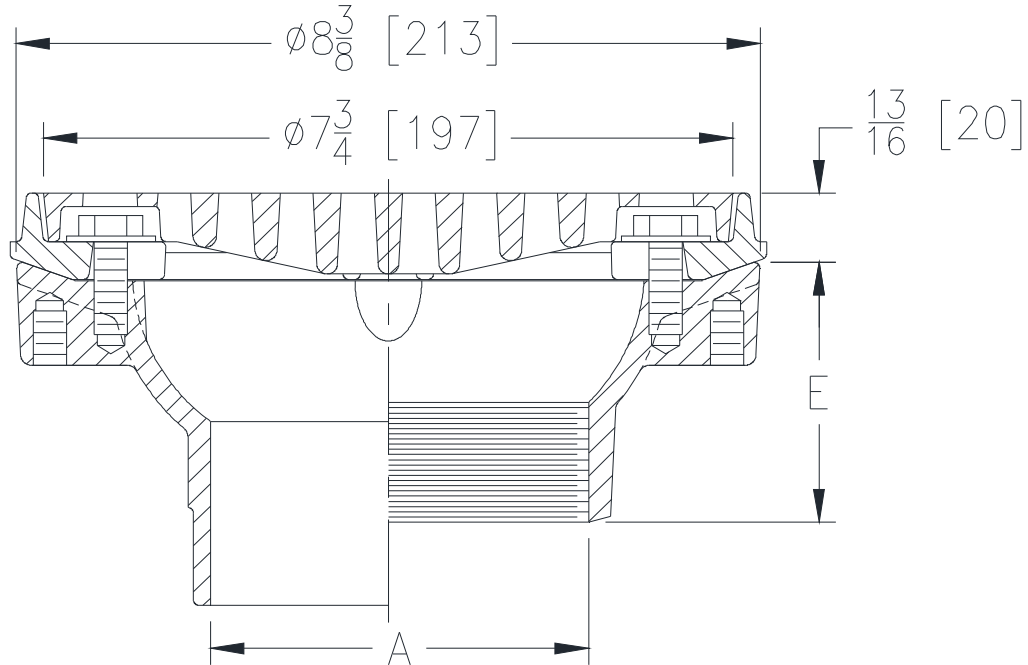
# Z125-FG

8-3/8 [213] DIAMETER ROOF DRAIN  
W/ FLUSH GRATE

SPECIFICATION SHEET

TAG \_\_\_\_\_

Dimensional Data (inches and [ mm ]) are Subject to Manufacturing Tolerances and Change Without Notice



A Pipe Size In. [mm]	Approx. Wt. Lbs. [kg]	Grate Open Area Sq. In. [cm <sup>2</sup> ]
2,3,4 [51,76,102]	17 [8]	13 [84]

**ENGINEERING SPECIFICATION: ZURN Z125-FG**

8-3/8" [213mm] Diameter roof drain, Dura-Coated cast iron body with combination membrane flashing clamp/gravel guard, and flush grate.

**OPTIONS** (Check/specify appropriate options)

**PIPE SIZE**

- 2,3,4 [51,76,102]
- 2 [51]
- 3 [76]
- 4 [102]
- 2,3,4 [51,76,102]
- 2,3,4 [51,76,102]

(Specify size/type) **OUTLET**

- \_\_\_ IC Inside Caulk
- \_\_\_ IP Threaded
- \_\_\_ IP Threaded
- \_\_\_ IP Threaded
- \_\_\_ NH No-Hub
- \_\_\_ NL Neo-Loc

**'E' BODY HT. DIM.**

- 3-7/8 [98]
- 2-7/16 [62]
- 2-3/4 [70]
- 3 [76]
- 4 [102]
- 3-13/16 [97]

**PREFIXES**

- \_\_\_ Z D.C.C.I. Body with Flush Grate\*

**SUFFIXES**

- |  |  |
|--|--|
| ___ -AR Acid Resistant Epoxy Coated Finish                                   | ___ -VP Vandal-Proof Secured Top                             |
| ___ -C Underdeck Clamp   | ___ -XJ Vertical Expansion Joint (See Z190)                  |
| ___ -DP Top-Set® Roof Deck Plate<br>(Replaces both the -C and -R)            | ___ -84 Stainless Steel Perforated Gravel Guard              |
| ___ -E 2 [51] High Static Extension (Specify Height)                         | ___ -85 Stainless Steel Perforated Extension                 |
| ___ -EB Top-Set® Adjustable Extension Assembly                               | ___ -89 2 [51] High External Water Dam                       |
| ___ -G Galvanized Cast Iron  | ___ -90 90° Threaded Side Outlet Body<br>(2,3,4 [51,76,102]) |
| ___ -R Roof Sump Receiver  |  |
| ___ -SC Secondary Clamping Collar  |  |
| ___ -TC Neo-Loc Test Cap Gasket<br>(2,3,4 [51,76,102] NL Bottom Outlet Only) |  |

\* Regularly furnished unless otherwise specified.