



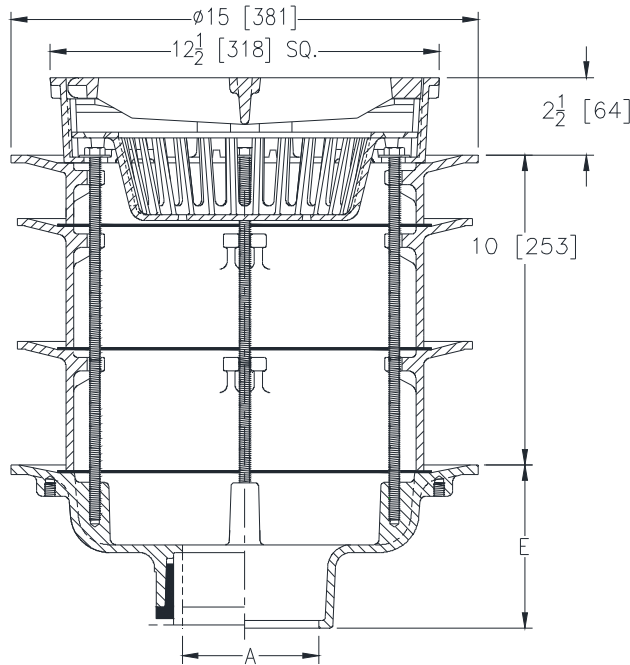
# Z610-130

12 [305] SQUARE TOP HEAVY-DUTY  
DRAIN W/ 10 [254] EXTENSION AND DURESIST GRATE

SPECIFICATION SHEET

TAG \_\_\_\_\_

Dimensional Data (inches and [ mm ]) are Subject to Manufacturing Tolerances and Change Without Notice



A Pipe Size In.	Approx. Wt. Lbs. [kg]	Grate Open Area Sq. In. [cm <sup>2</sup> ]
2-3-4-5-6 [51-76-102-127-152]	97 [44]	42 [271]
8-10 [203-254]	99 [45]	

**ENGINEERING SPECIFICATION:** ZURN Z610-130  
12 [305] Square top drain, Dura-Coated cast iron body with bottom outlet, seepage pan and combination membrane flashing clamp and frame for heavy-duty ductile iron loose slotted grate, with suspended polypropylene sediment bucket, 10 [254] static extension.

**OPTIONS** (Check/specify appropriate options)

**PIPE SIZE**

- 2-3-4-5-6-8-10 [51-76-102-127-152-203-254]
- 2-3-4-6 [51-76-102-152]
- 2-3-4-5-6-8-10 [51-76-102-127-152-203-254]
- 2-3-4-5-6-8-10 [51-76-102-127-152-203-254]
- 2-3-4 [51-76-102]

(Specify size/type) **OUTLET**

- \_\_\_ IC Inside Caulk
- \_\_\_ IG Inside Caulk w/Sealtrol Gskt.
- \_\_\_ IP Threaded
- \_\_\_ NH No-Hub
- \_\_\_ NL Neo-Loc

**'E' BODY HT. DIM.**

- 5-1/4 [133]
- 5-1/4 [133]
- 3-3/4 [95]
- 5-1/4 [133]
- 4-5/8 [117]

**PREFIXES**

- \_\_\_ Z D.C.C.I. Body and Top\*
- \_\_\_ ZB D.C.C.I Body w/ Polished Bronze Top (Add 3/16 [5] to 2 1/2 [64] Dim. and 3/4 [19] to 12 1/2 [318] Dim.)
- \_\_\_ ZN D.C.C.I Body w/ Polished Nickel Bronze Top (Add 3/16 [5] to 2 1/2 [64] Dim. and 3/4 [19] to 12 1/2 [318] Dim.)

**SUFFIXES**

- \_\_\_ -AR Acid Resistant Epoxy Coated Finish
- \_\_\_ -DS Ductile Iron Solid Cover
- \_\_\_ -DX Dex-o-tex Flange
- \_\_\_ -G Galvanized Cast Iron
- \_\_\_ -H Hinged Grate
- \_\_\_ -HC Hinged Solid Cover
- \_\_\_ -HL Hinged Locking Grate
- \_\_\_ -HLC Hinged Locking Cover
- \_\_\_ -LY (Less) Sediment Bucket
- \_\_\_ -P Trap Primer Connection
- \_\_\_ -S Secondary Strainer
- \_\_\_ -SC Solid Cover
- \_\_\_ -SS Stainless Steel Mesh Liner For Bucket
- \_\_\_ -TC Neo-Loc Test Cap Gasket (2 [51]-4 [102] NL Bottom Outlet Only)
- \_\_\_ -TS Top Secured with Slotted Screws
- \_\_\_ -V Backwater Valve (See Z1099)
- \_\_\_ -VP Vandal-Proof Secured Top
- \_\_\_ -YA Aluminum Sediment Bucket
- \_\_\_ -YC Cast Iron Sediment Bucket
- \_\_\_ -90 90° Threaded Side Outlet Body

\* Regularly furnished unless otherwise specified.