



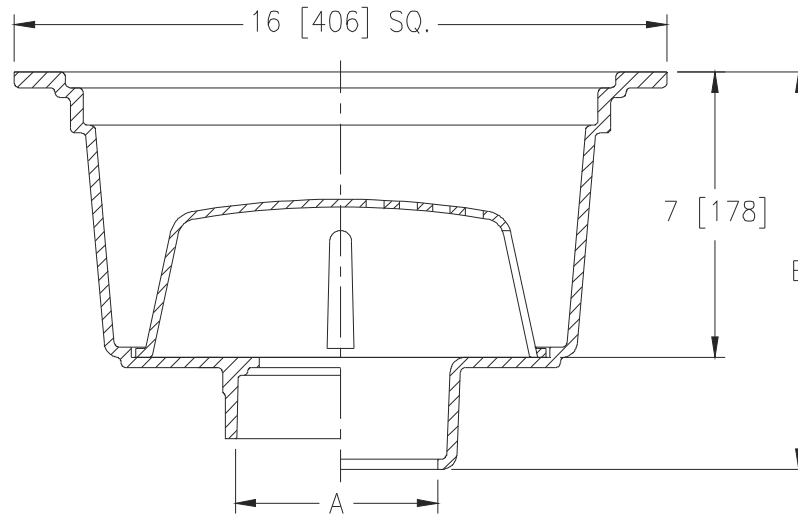
Z568-80

16 [406] SQUARE OPEN TOP DRAIN WITH BOTTOM DOME STRAINER

SPECIFICATION SHEET

TAG _____

Dimensional Data (inches and [mm]) are Subject to Manufacturing Tolerances and Change Without Notice



A - Pipe Size Inches [mm]	Approx. Wt. Lbs. [kg]
3,4,6 [76,102,152]	56 [25]

ENGINEERING SPECIFICATION: ZURN Z568-80

16" [406 mm] Square open top drain, Dura-Coated cast iron body with bottom outlet and loose set aluminum anti-splash interior bottom dome strainer.

OPTIONS (Check/specify appropriate options)

PIPE SIZE

- 3, 4, 6 [76, 102, 152]
- 3, 4, 6 [76, 102, 152]
- 3 [76]
- 4, 6 [102, 152]
- 3, 4 [76, 102]

(Specify size/type) OUTLET

- ___ IC Inside Caulk
- ___ IG Inside Gasket
- ___ IP Threaded
- ___ IP Threaded
- ___ NL Neo-Loc

'E' BODY HT. DIM.

- 9-3/4 [248]
- 9-3/4 [248]
- 7-7/8 [200]
- 8-1/8 [206]
- 9 [229]

PREFIXES

- ___ Z D.C.C.I. Body and Top*
- ___ ZB D.C.C.I. Body with Polished Bronze Top (Add 3/16 [5] to 'E' Dim.)
- ___ ZN D.C.C.I. Body with Polished Nickel Bronze Top (Add 3/16 [5] to 'E' Dim.)

SUFFIXES

- ___ -AR Acid Resisting Epoxy Coated Cast Iron
- ___ -G Galvanized Cast Iron
- ___ -GT Top Grate (Open area 54 sq. in. [348 cm²])
- ___ -K Flange with Seepage Holes
- ___ -KC Flange with Seepage Holes with Clamp Collar
- ___ -TC Neo-Loc Test Cap Gasket (3 [76], 4 [102] NL Bottom Outlet Only)
- ___ -WS Wide Slotted Grate (Open area 105 sq. in. [677cm²])

* Regularly furnished unless otherwise specified.