

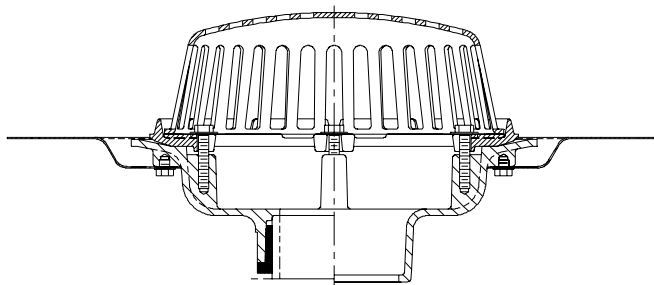
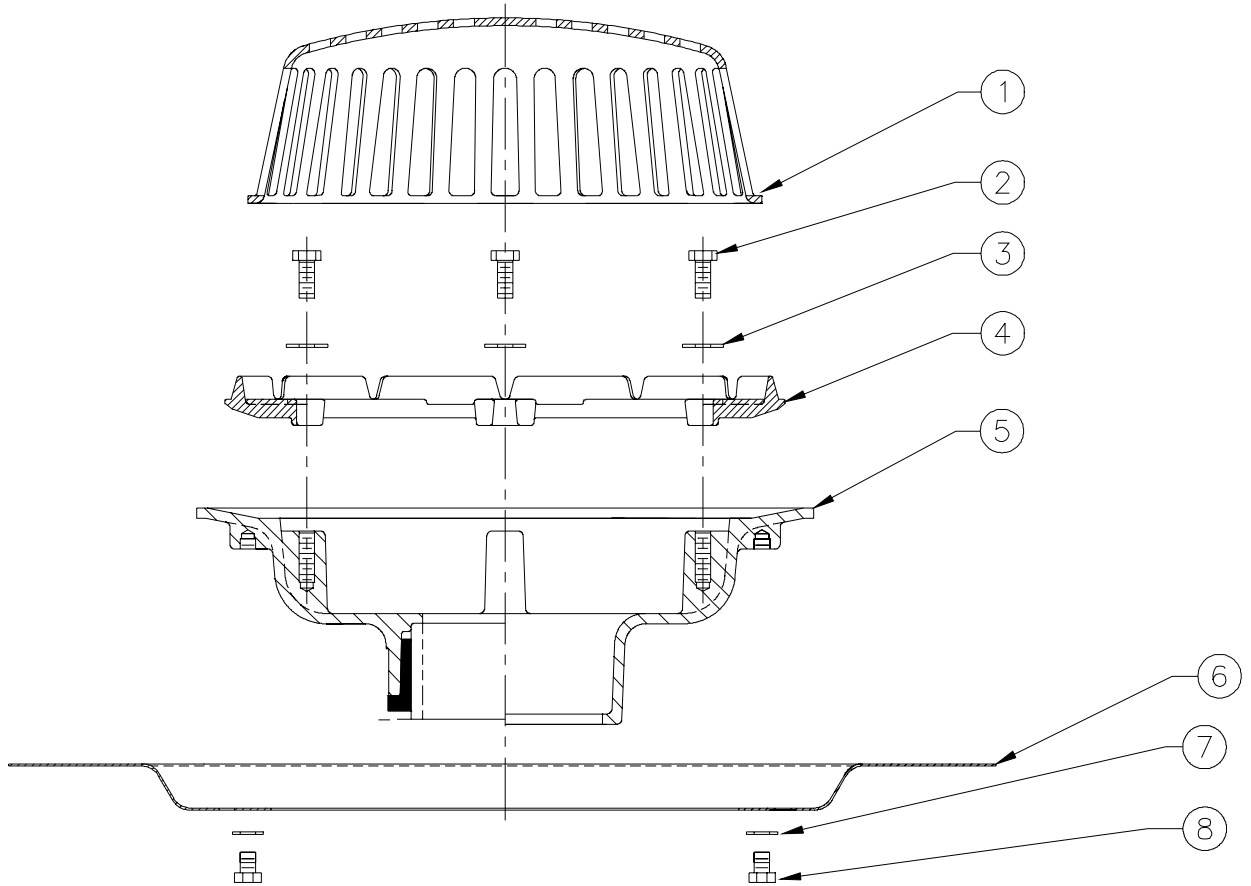


Z100-DP

15" DIAMETER TOP-SET® ROOF DRAIN

EXPLODED PARTS LIST

Dimensional Data (inches and [mm]) are Subject to Manufacturing Tolerances and Change Without Notice



Z100-DP PARTS LIST

Item	Name	Part Number	Quan.
1	Dome	29378	1
2	3/8 Hex Bolt	26050	4
3	3/8 Nom. Washer	14858	4
4	Clamp Collar	29480	1
5	Body	31421	1
6	Top-Set® Deck Plate	66372	1
7	3/8 Nom. Washer	14858	4
8	3/8 Hex Bolt	26050	4

Form # RD26

Date: 10/31/02

C.N. No. 90030

Rev. A

ZURN INDUSTRIES, LLC. ♦ SPECIFICATION DRAINAGE OPERATION ♦ 1801 Pittsburgh Ave. ♦ Erie, PA 16514

Phone: 814/455-0921 ♦ Fax: 814/454-7929 ♦ World Wide Web: www.zurn.com

In Canada: ZURN INDUSTRIES LIMITED ♦ 3544 Nashua Drive ♦ Mississauga, Ontario L4V1L2 ♦ Phone: 905/405-8272 Fax: 905/405-1292