



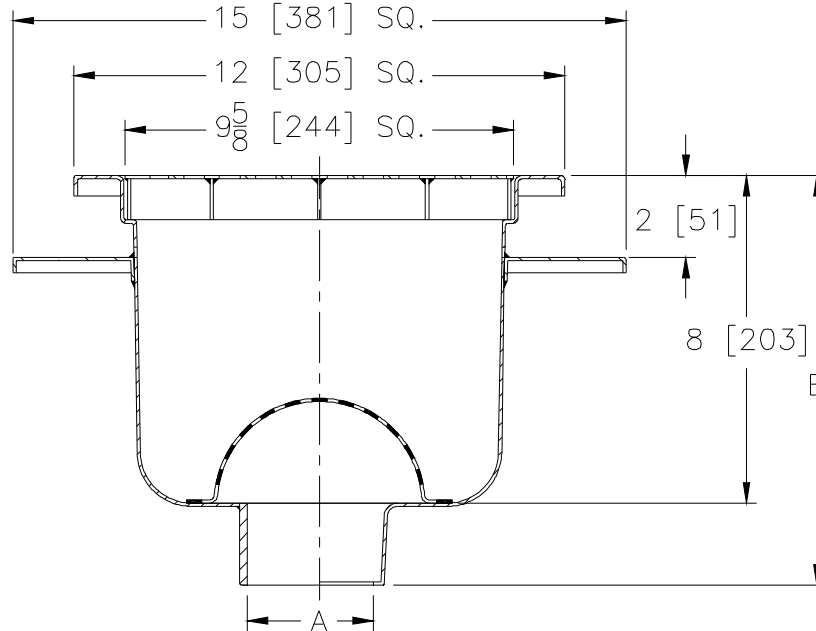
Z1751-K

12 X 12 [305 x 305] SANI-FLOR RECEPTOR
8 [203] SUMP DEPTH W/ ANCHOR FLANGE

SPECIFICATION SHEET

TAG _____

Dimensional Data (inches and [mm]) are Subject to Manufacturing Tolerances and Change Without Notice



A Pipe Size In. [mm]	Approx. Wt. Lbs. [kg]	Grate Open Area Sq. In. [cm ²]
2,3,4 [51,76,102]	19 [9]	23 [148]
6 [152]	21 [9]	23 [148]

ENGINEERING SPECIFICATION: ZURN Z1751-K

12" x 12" x 8" [305mm x 305mm x 203mm] Deep, 16 gage, all Type 304 (CF8) stainless steel light duty Sani-Flor receptor with anchor flange, non-tilt, loose set full grate with 1/2" [13mm] square openings and anti-splash interior dome strainer.

OPTIONS (Check/specify appropriate options)

PIPE SIZE

3,4 [76,102]
2,3,4,6 [51,76,102,152]
2,3,4 [51,76,102]

(Specify size/type) OUTLET

___ IC Inside Caulk
___ NH No-Hub
___ NL Neo-Loc

'E' BODY HT. DIM.

10-9/16 [268]
10-1/16 [256]
9-13/16 [249]

PREFIXES

___ Z Type 304 (CF8) Stainless Steel Body*
___ ZM Type 316 (CF8M) Stainless Steel

SUFFIXES

___ -DX	Dex-o-tex Flange	___ -3	3/4 Grate
___ -HD	Extra Heavy-Duty Grate	___ -4	Full Grate w/ 3 [76] Square Center Opening
___ -HP	Heel-Proof Grate	___ -5	Grate w/ 4 [102] Dia. x 3-3/4 [95] High Type 304 Stainless Steel Funnel
___ -P	1/2 [13] Trap Primer Connection	___ -8	Grate w/ 9 [229] Dia. x 3-1/2 [90] High Type 304 Stainless Steel Oval Funnel
___ -SG	Solid Gasketed Cover	___ -15	Solid Cover
___ -TC	Neo-Loc Test Cap Gasket (2,3,4 [51,76,102] NL Bottom Outlet Only)	___ -16	1/2 Solid Cover
___ -VP	Vandal-Proof Secured Top	___ -19	Full Hinged Grate
___ -Y	Sediment Bucket	___ -20	Full Hinged Solid Cover
___ -YS	Suspended Sediment Bucket		
___ -1	(Less) Grate		
___ -2	1/2 Grate		

* Regularly furnished unless otherwise specified.