



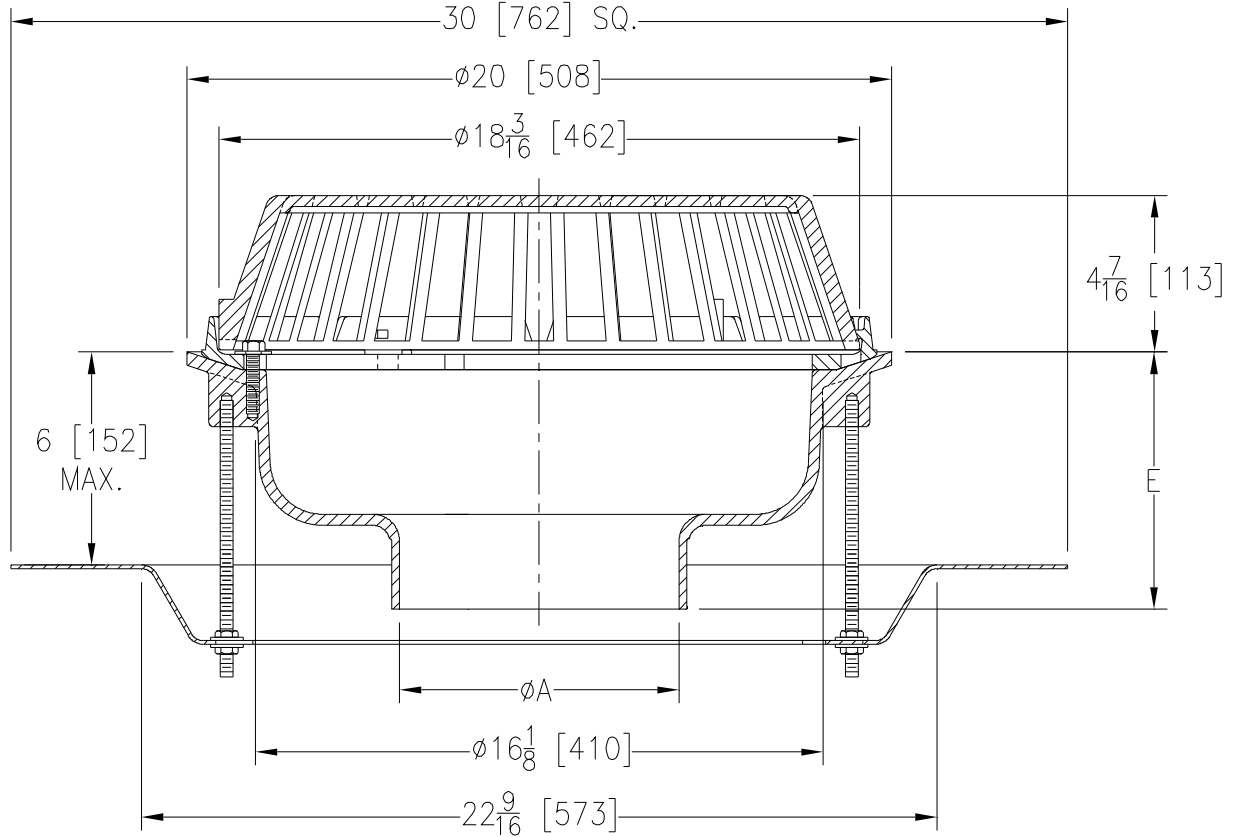
# Z101-EB

SPECIFICATION SHEET

20 [508] DIAMETER MAIN ROOF DRAIN  
W/ TOP-SET® ADJUSTABLE EXTENSION ASSEMBLY

TAG \_\_\_\_\_

Dimensional Data (inches and [mm]) are Subject to Manufacturing Tolerances and Change Without Notice



A Pipe Size In.	Approx. Wt. Lbs. [kg]	Dome Open Area Sq. In. [cm <sup>2</sup> ]
8 [203]	77 [35]	216 [1394]
10 [245]	78 [35]	
12 [305]	79 [36]	

**ENGINEERING SPECIFICATION: ZURN Z101-EB**

20 [508] Diameter roof drain. Dura-Coated cast iron body with combination membrane flashing clamp/gravel guard, top-set® adjustable extension assembly and low silhouette dome.

**PIPE SIZE**

8, 10, 12 [203, 254, 305]

(Specify size) **OUTLET**

\_\_\_\_ NH No-Hub

**'E' BODY HT. DIM.**

7 5/16 [185]

**PREFIXES**

\_\_\_\_ Z D.C.C.I. Body with Cast Iron Dome\*

**SUFFIXES**

- \_\_\_\_ -AR Acid Resistant Epoxy Coated
- \_\_\_\_ -E Static Extension 1 [25] thru 4 [102] (Specify Height)
- \_\_\_\_ -G Galvanized Cast Iron
- \_\_\_\_ -W2 2 [51] Internal Water Dam
- \_\_\_\_ -W3 3 [76] Internal Water Dam
- \_\_\_\_ -W4 4 [102] Internal Water Dam
- \_\_\_\_ -89 2 [51] High External Water Dam

REV.	DATE: 3/30/07	C.N. NO. 96432
DWG. NO. 83143		PRODUCT NO. Z101-EB