



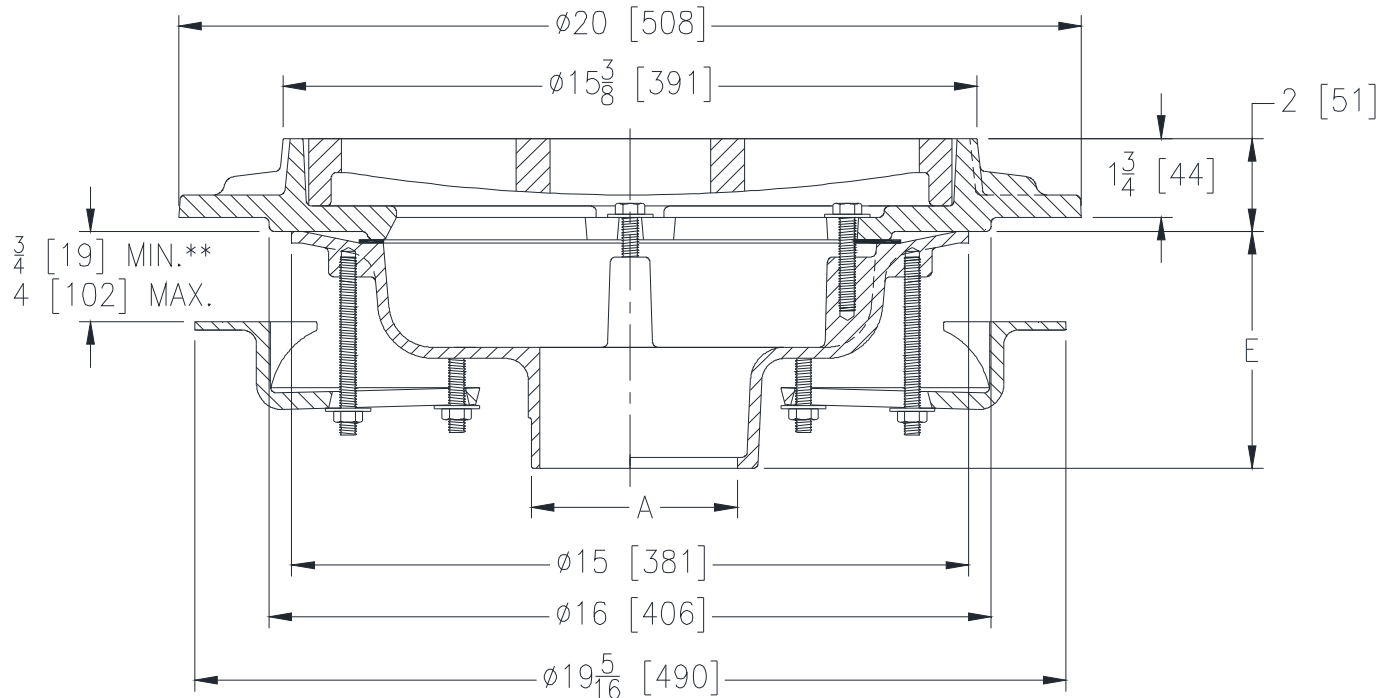
Z536-C

15-3/8 [391] DIAMETER HEAVY-DUTY PARKING DECK DRAIN W/ SUPPORT FLANGE & UNDERDECK CLAMP

SPECIFICATION SHEET

TAG _____

Dimensional Data (inches and [mm]) are Subject to Manufacturing Tolerances and Change Without Notice



A Pipe Size In [mm]	Approx. Wt. Lbs. [kg]	Grate Open Area Sq. In. [cm ²]
3,4,6 [76,102,152]	95 [43]	52 [335]
8 [203]	97 [44]	

ENGINEERING SPECIFICATION: ZURN Z536-C

15-3/8" [391mm] Diameter parking deck drain. Dura-Coated cast iron body with bottom outlet, underdeck clamp, heavy-duty gasketed drain support flange, with heavy-duty slotted grate.

OPTIONS (Check/specify appropriate options)

PIPE SIZE

4 [102]
3,4,6,8 [76,102,152,203]
3,4 [76,102]

(Specify size/type) OUTLET

_____ IP Threaded
_____ NH No-Hub
_____ NL Neo-Loc

'E' BODY HT. DIM.

3-3/4 [95]
5-1/4 [133]
4-9/16 [116]

PREFIXES

_____ Z D.C.C.I. Body and Top*
_____ ZN D.C.C.I. Body with Polished Nickel Bronze Top (Add 3/16 [5] to 2 [51] Dim.)

SUFFIXES

_____ -DG Duresist Grate
_____ -G Galvanized Cast Iron
_____ -VP Vandal Proof Secured Top
_____ -Y Sediment Bucket

* Regularly furnished unless otherwise specified.