

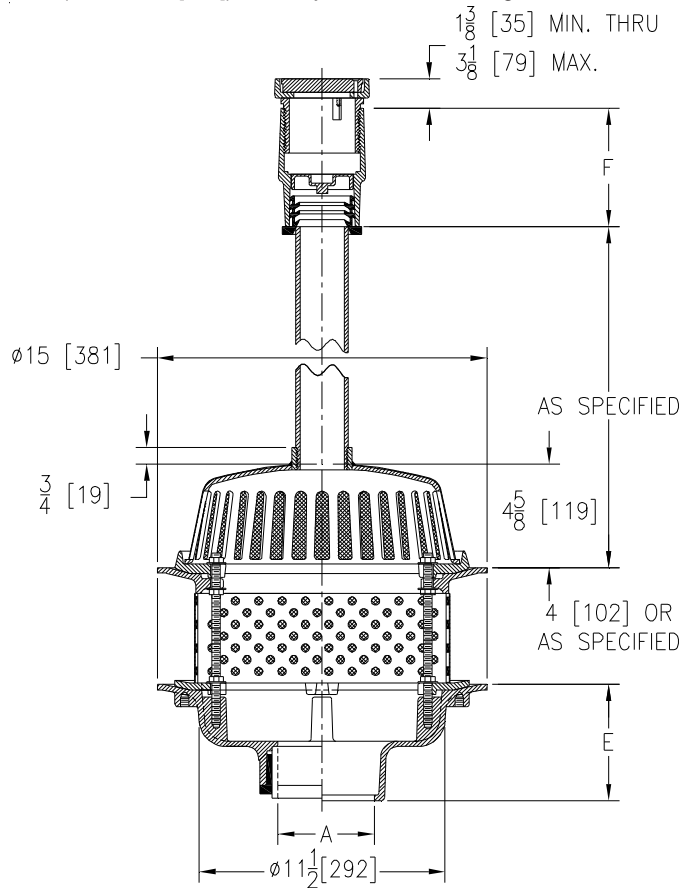


Z100-184

15 [381] DIAMETER MAIN ROOF DRAIN LOW SILHOUETTE DOME W/ Z1400 UPPER BODY

TAG _____

Dimensional Data (inches and [mm]) are Subject to Manufacturing Tolerances and Change Without Notice



Z1400 Connection Type	'F' Dim.
Inside Caulk	6 7/8 [175]
No-Hub	7 1/2 [191]
Neo-Loc	5 3/8 [137]

A- Pipe Size In.	Approx. Wt. Lbs. [kg]	Dome Open Area Sq. In. [cm ²]
2-3-4 [51-76-102]	26 [12]	103 [665]
5-6 [127-152]	27 [12]	
8 [203]	28 [13]	

ENGINEERING SPECIFICATION: ZURN Z100-184

15 [381] Diameter roof drain. Dura-Coated cast iron body with combination membrane flashing clamp/gravel guard and low silhouette cast iron dome with mesh screen, perforated stainless steel extension with mesh screen, static extension, secondary clamp collar, 2 [51] standpipe and Z1400 upper body.

OPTIONS (Check/specify appropriate options)

PIPE SIZE

- 2 thru 6, 8 [51 thru 152,203]
- 2 thru 6, 8 [51 thru 152,203]
- 2 thru 6, 8 [51 thru 152,203]
- 2,3,4 [51,76,102]

(Specify size/type) OUTLET

- _____ IC Inside Caulk
- _____ IP Threaded
- _____ NH No-Hub
- _____ NL Neo-Loc

E BODY HT. DIM.

- 5 1/4 [133]
- 3 3/4 [95]
- 5 1/4 [133]
- 4 5/8 [117]

PREFIXES

- _____ ZC D.C.C.I. Body with Cast Iron Dome and Z1400 upper body.*

SUFFIXES

- _____ -AC Angular Underdeck Clamp
- _____ -AR Acid Resistant Epoxy Coated Finish
- _____ -C Underdeck Clamp
- _____ -G Galvanized Cast Iron
- _____ -GD Galvanized Cast Iron Dome
- _____ -R Roof Sump Receiver
- _____ -SS Stainless Steel Mesh Screen Over Dome
- _____ -VP Vandal Proof Secured Top
- _____ -XJ Vertical Expansion Joint (See Z190)

*REGULARLY FURNISHED UNLESS OTHERWISE SPECIFIED

REV.	DATE: 2/28/08	C.N. NO. 98166
DWG. NO. P-15524 PRODUCT NO. Z100-184		