



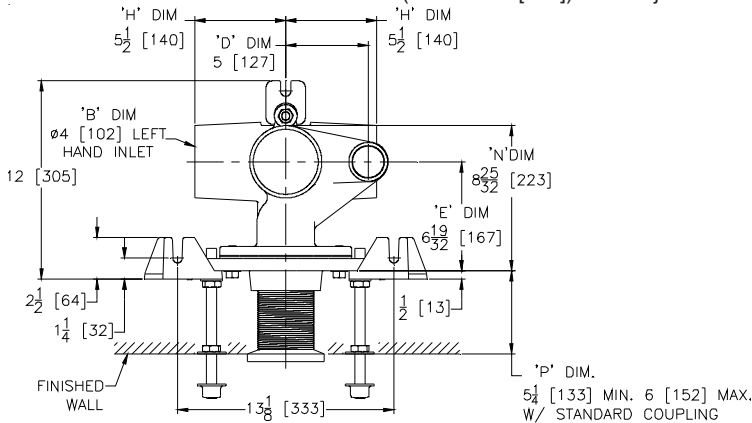
Z1202-2N4

EZCARRY® ADJUSTABLE VERTICAL HIGH PERFORMANCE SIPHON JET NO-HUB WATER CLOSET CARRIER SYSTEM W/ TWO SIDE INLETS

SPECIFICATION SHEET

TAG _____

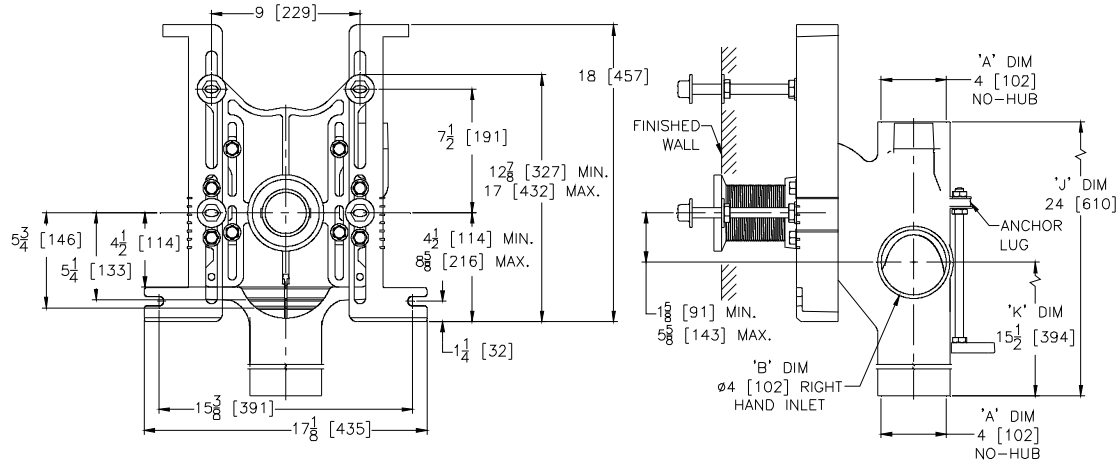
Dimensional Data (inches and [mm]) are Subject to Manufacturing Tolerances and Change Without Notice



Product Number	Approx. Wt. lbs [kg]
Z1202-2N4	81 [37]

Note:

1. Z coupling, Min. 'P' Dim. Obtainable = 2 [51].
ZQ coupling, Min. 'P' Dim Obtainable = 5 [127]
EZ-Set™ Coupling, Min. 'P' Dim. Obtainable = 4-1/4 [108] or 2-1/16 [52] for 12 [305] NPT
2. Feet bolted to floor using min. 1/2 [13] dia. anchors.
3. 2 [51] No-Hub vent connection regularly furnished on right hand side. Left hand available when specified (Suffix -VL)



ENGINEERING SPECIFICATION: ZURN Z1202-2N4

EZCarry® vertical siphon jet water closet carrier system with high performance waterway and 4" [102mm] no-hub connections. System includes Dura-Coated cast iron main fitting with hydro-mechanically optimized sweep and extended 2" [51mm] vent, two 4" [102mm] side inlets, adjustable gasketed faceplate, floor mounted pre-fab slotted foot supports with top anchoring pre-fab support base, heavy-duty 1/2" [13mm] rear anchor tie down, fixture bolts, trim, stud protectors, bonded "Neo-Seal" gasket, and corrosion resistant, adjustable 3" [76mm] dia. X 6" [152mm] coupling with integral test cap designed to increase flow velocity and line carry. EZCarry® system complies with the requirements of ASME A112.6.1M up to a 500 lbs [227 kg] static load rating.

OPTIONS (Check/specify appropriate options)

Z1202-2N4 4 [102] No-Hub Stack, Single Inlet, Two 4 [102] Side Inlets, 2 [51] Right Hand Vent.

PREFIXES

- ___ Z D.C.C.I. System with Zurn ZZ Adjustable Coupling*
- ___ ZQ D.C.C.I. System with NPT Faceplate, Non-Adjustable Coupling

SUFFIXES

- | | |
|--|--|
| ___ -A Auxiliary Support Assembly
(For 'P' Dim. Greater than 18 [457]) | ___ -F Floor Mounted, Back Outlet Fixture Support |
| ___ -CC Corrosion Resistant Cast Iron Coupling
(2-1/4 [57] to 12 [305]) | ___ -G Galvanized Cast Iron |
| ___ -CE EZ-Set™ Coupling (NPSM 6 [152] , 12 [305] or custom)
(NPT 12 [305] or custom) | ___ -M Auxiliary Foot Support
(for 'P' Dim. 7 thru 18 [178 thru 457]) |
| ___ -CL Custom Length Standard Coupling with Integral Test Cap
(Specify Length 4, 8, 10, 12 [102, 203, 254, 305]) | ___ -RYK17 One Piece Unistrut Pre-Fab Foot |
| ___ -CS 2-1/4 [57] Polymer Coupling with Integral Test Cap | ___ -VL Left Hand Vent Connection |
| | ___ -VP Vandal-Proof Trim |
| | ___ -45 Finishing Frame for Siphon Jet System |
| | ___ -50 Flush Valve Supply Support for Water Closets |

* Regularly furnished unless otherwise specified.