



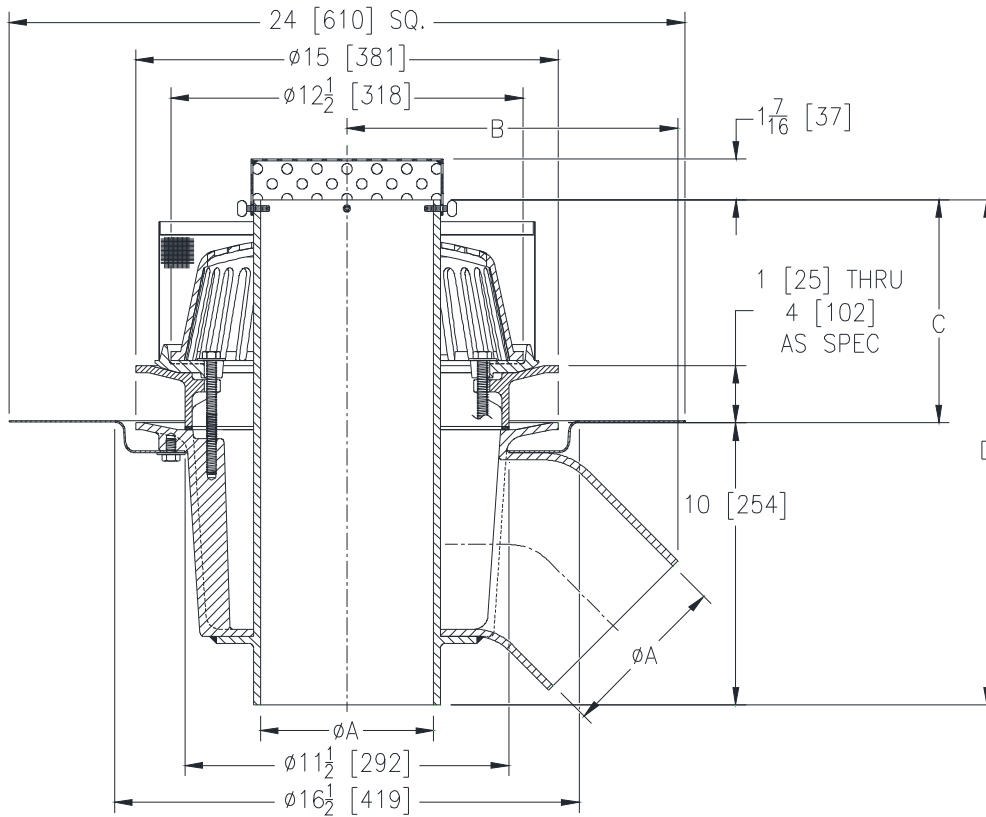
# Z103-45-DP-E-MS-SS

15 [381] DIAMETER DEEP SUMP 45° DUAL OUTLET ROOF DRAIN  
W/ S.S. MESH SCREEN, S.S. PERFORATED SCREEN ON OVER-  
FLOW, STATIC EXTENSION AND TOP-SET DECK PLATE

SPECIFICATION SHEET

TAG \_\_\_\_\_

Dimensional Data (inches and [ mm ]) are Subject to Manufacturing Tolerances and Change Without Notice



Diminensions in Inches [mm]		
EXT. HT.	C	D
1 [25]	5-13/32 [137]	16-29/32 [429]
1-1/2 [38]	5-29/32 [150]	17-13/32 [442]
2 [51]	6-13/32 [163]	17-29/32 [455]
2-1/2 [64]	6-29/32 [175]	18-13/32 [468]
3 [76]	7-13/32 [188]	18-29/32 [480]
3-1/2 [89]	7-29/32 [201]	19-13/32 [493]
4 [102]	8-13/32 [214]	19-29/32 [506]

A Pipe Size In. [mm]	B In. [mm]	Approx. Wt. Lbs. [kg]	Dome Open Area Sq. In. [cm <sup>2</sup> ]
3 [76]	9-7/16 [240]	77 [35]	103 [665]
4 [102]	10-1/4 [260]		
6 [152]	10-15/16 [278]		

**ENGINEERING SPECIFICATION:** ZURN Z103-45-DP-E-MS-SS  
15" [381mm] Diameter dual outlet roof drain with 45° primary outlet connection and secondary bottom overflow outlet. Complete with Dura-Coated cast iron deep sump body with combination membrane flashing clamp/gravel guard, static extension with gasket, low silhouette cast-iron dome with stainless steel mesh screen, stainless steel perforated screen on overflow pipe, and Top-Set Deck Plate.

**OPTIONS** (Check/specify appropriate options)

**PIPE SIZE**

3, 4, 6 [76, 102, 152]

(Specify size) **OUTLET**

\_\_\_\_\_ NH No-Hub

**PREFIXES**

\_\_\_\_\_ Z D.C.C.I. Body w/ Cast Iron Dome\*

**SUFFIXES**

- \_\_\_\_\_ -AR Acid Resistant Epoxy Coated Finish
- \_\_\_\_\_ -G Galvanized Cast Iron
- \_\_\_\_\_ -VP Vandal-Proof Secured Top
- \_\_\_\_\_ -84 Stainless Steel perforated Gravel Guard

\* Regularly furnished unless otherwise specified.