



# Z121-116

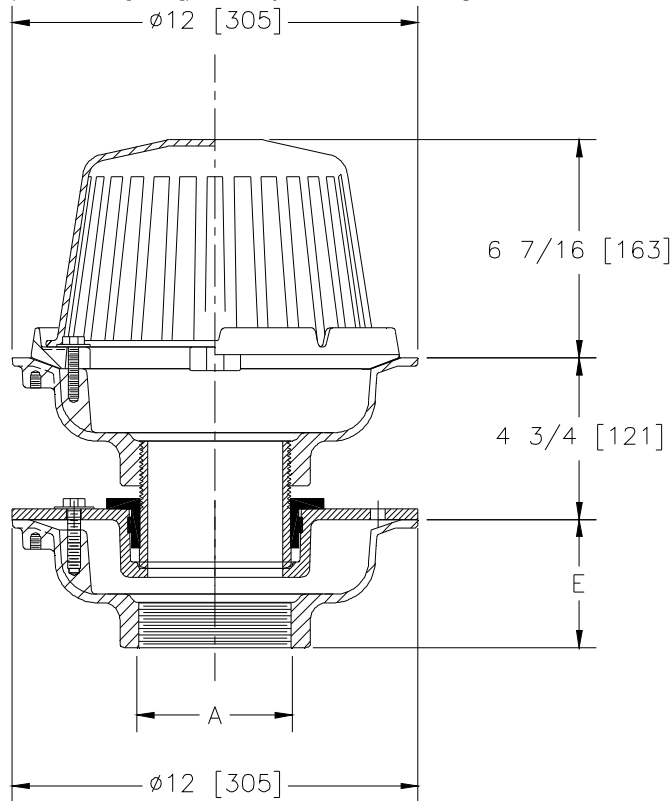
## 12 [305] DIAMETER ROOF DRAIN FOR FLOATING SLAB

SPECIFICATION SHEET

TAG \_\_\_\_\_



Dimensional Data (inches and [ mm ]) are Subject to Manufacturing Tolerances and Change Without Notice



A- Pipe Size In.	Approx. Wt. Lbs. [kg]	Dome Open Area Sq. In. [cm <sup>2</sup> ]
2-3-4-5-6 [51-76-102-127-152]	45 [20]	113 [729]

**ENGINEERING SPECIFICATION: ZURN Z121-116**  
 12 [305] Diameter roof drain. Dura-Coated cast iron upper and lower bodies with combination membrane flashing clamp/gravel guard, Poly-Dome, (lower body) clamp collar, neoprene flex gasket and isolation nipple.

**OPTIONS** (Check/specify appropriate options)

**PIPE SIZE**

2-3-4-5-6 [51-76-102-127-152]

(Specify size/type) **OUTLET**

\_\_\_\_\_ IP Threaded

**E BODY HT. DIM.**

3-3/4 [95]

**PREFIXES**

- \_\_\_ Z D.C.C.I. Body with Dome\*
- \_\_\_ ZA D.C.C.I. Body with Aluminum Dome
- \_\_\_ ZC D.C.C.I. Body with Cast Iron Dome
- \_\_\_ ZRB D.C.C.I. Body with Plain Bronze Dome

**SUFFIXES**

- \_\_\_ -AR Acid Resistant Epoxy Coated Finish
- \_\_\_ -BS Bronze Mesh Screen Over Dome
- \_\_\_ -C Underdeck Clamp
- \_\_\_ -E Static Extension 1 [25] thru 4 [102] (Specify Ht.)
- \_\_\_ -G Galvanized Cast Iron
- \_\_\_ -R Roof Sump Receiver
- \_\_\_ -SC Secondary Clamping Collar
- \_\_\_ -SSM Stainless Steel Mesh Screen Over Dome
- \_\_\_ -VP Vandal Proof Secured Top
- \_\_\_ -XJ Vertical Expansion Joint (See Z-190)
- \_\_\_ -84 Stainless Steel Perforated Gravel Guard
- \_\_\_ -85 Stainless Steel Perforated Extension
- \_\_\_ -89 2 [51] High External Water Dam
- \_\_\_ -90 90° Threaded Side Outlet Body (Lower Body)

\* Regularly furnished unless otherwise specified.