



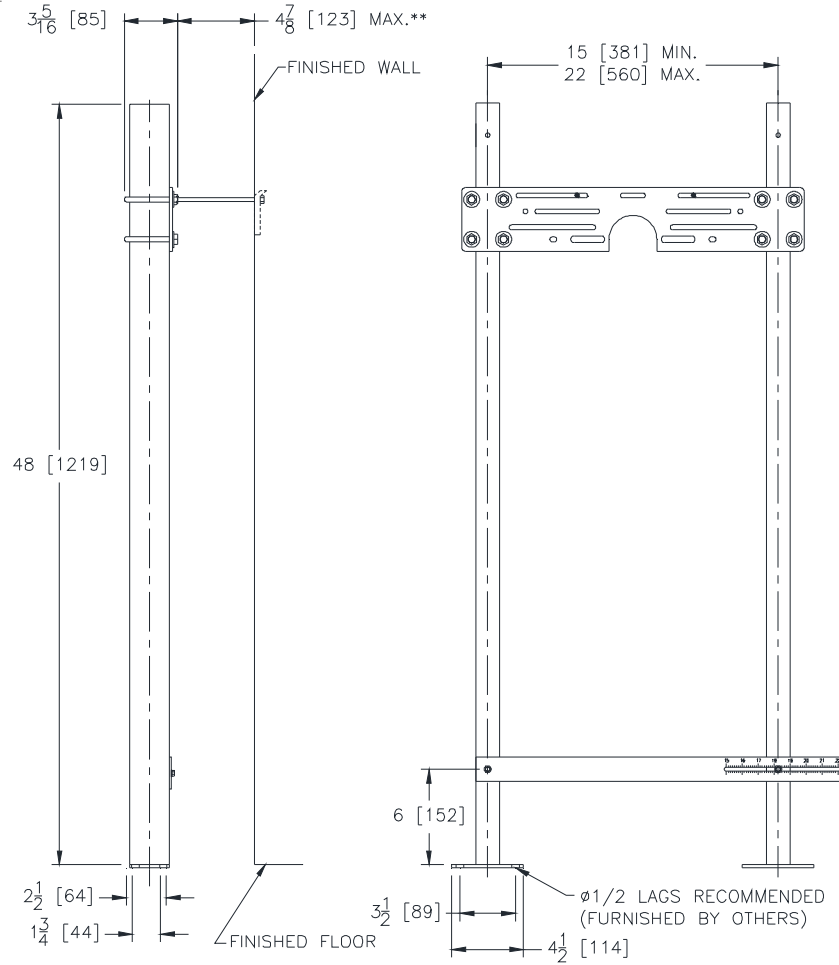
# Z1221-EZ

## PLATE TYPE SYSTEM WALL URINALS

SPECIFICATION SHEET

TAG \_\_\_\_\_

Dimensional Data (inches and [ mm ]) are Subject to Manufacturing Tolerances and Change Without Notice



\*\* WITH STANDARD STUD LENGTH OF 6 [152].

Product No.	Approx. Wt. Lbs. [kg]
Z1221-EZ	50 [23]

### ENGINEERING SPECIFICATION: ZURN Z1221-EZ

Wall urinal support system complete with Dura-Coated carbon structural steel rectangular tubing uprights, conforming to ASTM A500 Grade C, with welded base feet having slotted floor anchor holes. Universal hanger plate is pre-notched for back spud inlet and is designed for various hardware positions and fixtures. Includes mounting fasteners and hardware. Uprights and hanger plate are factory assembled for easy installation. Carrier system exceeds load and deflection requirements as outlined in ASME Standard A112.6.1M.

**OPTIONS** (Check/specify appropriate options)

### PREFIXES

\_\_\_ Z Dura-Coated System with Universal Plate\*

### SUFFIXES

\_\_\_ -58 Flush Valve Supply Support

\* Regularly furnished unless otherwise specified.

Zurn Industries, LLC | Specification Drainage Operation  
 1801 Pittsburgh Avenue, Erie, PA U.S.A. 16502 · Ph. 855-663-9876, Fax 814-454-7929  
 In Canada | Zurn Industries Limited  
 3544 Nashua Drive, Mississauga, Ontario L4V 1L2 · Ph. 905-405-8272, Fax 905-405-1292  
[www.zurn.com](http://www.zurn.com)

Rev. B  
 Date: 10/17/17  
 C.N. No. 138923  
 Prod. | Dwg. No. Z1221-EZ