



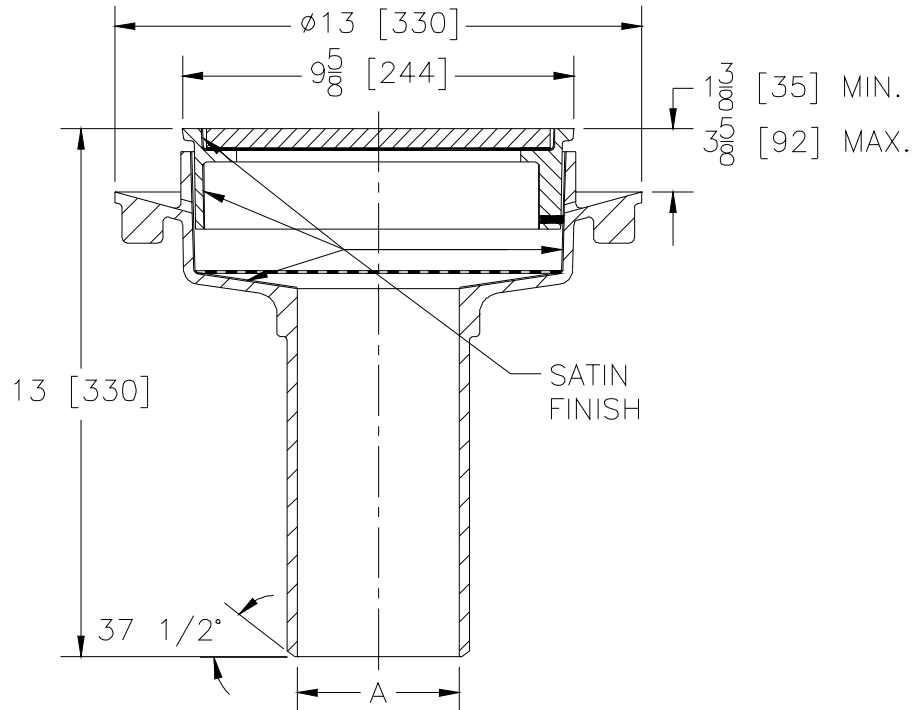
Z1732-83

ADJUSTABLE FLOOR DRAIN W/ LOOSE SET GASKETED COVER

SPECIFICATION SHEET

TAG _____

Dimensional Data (inches and [mm]) are Subject to Manufacturing Tolerances and Change Without Notice



A- Pipe Size In.	Approx. Wt. Lbs. [kg]
2-3-4-6 [50-75-100-150]	40 [18]

ENGINEERING SPECIFICATION: ZURN Z1732-83 All Type 304 (CF8) stainless steel adjustable floor drain with integral anchor flange and seepage holes, adjustable top frame and loose set gasketed cover with satin finish, and flat secondary strainer.

OPTIONS (Check/specify appropriate options)

PIPE SIZE

2, 3, 4 [50, 75, 100]
6 [150]

(Specify size/type) **OUTLET**

___ BW Butt-weld (Specify Schedule 10, 40 or 80)
___ BW Butt-weld (Specify Schedule 10, 40 or 80)

PREFIXES

___ Z Type 304 (CF8) Stainless Steel Body*
___ ZC Type A-27 Carbon Steel Body (P.O.A.)
___ ZM Type 316 (CF8M) Stainless Steel Body

SUFFIXES

<p>___ -E Extension ___ -K Seepage Holes Only ___ -KC Clamp Collar with Seepage Holes ___ -SC Solid Secured Cover ___ -SF Satin Finish Top ___ -VP Vandal Proof Secured Top ___ -Y Sediment Bucket</p>	<p>___ -30 Bronze Closure Plug ___ -31 Plastic Closure Plug ___ -33 Type 304 Stainless Steel Closure Plug ___ -34 Bronze Closure Plug with 3/4 [19] Test Plug</p>
--	---

*REGULARLY FURNISHED UNLESS OTHERWISE SPECIFIED

REV.	DATE: 1/27/03	C.N. NO. 90201
DWG. NO. P-14960 PRODUCT NO. Z1732-83		