



**ZE-1203-91
ADJUSTABLE HORIZONTAL
SIPHON JET No-Hub**

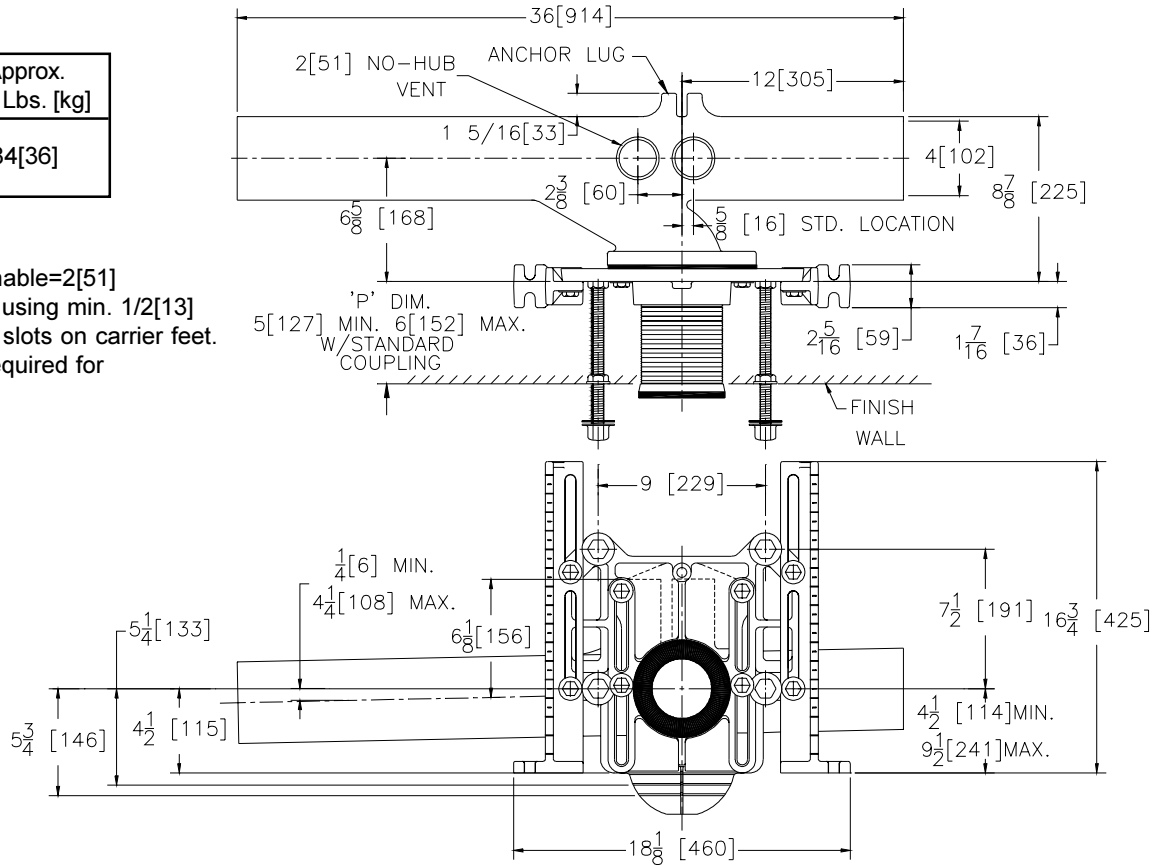
SPECIFICATION SHEET
TAG _____

Dimensional Data (inches and [mm]) are Subject to Manufacturing Tolerances and Change Without Notice

Product No.	Approx. Wt. Lbs. [kg]
ZE-1203-NL4	84[36]
ZE-1203-NR4	

Note:

1. Min. 'P' Dim. Obtainable=2[51]
2. Feet bolted to floor using min. 1/2[13] dia. bolts and back slots on carrier feet.
3. Back anchor foot required for secure installation.



ENGINEERING SPECIFICATION: ZURN ZE-1203-91 Adjustable, horizontal siphon jet water closet "Rigid System" with 4[100] No-Hub connections. Complete with Dura-Coated cast iron right or left hand fitting, with 2[51] vent and 2[51] auxiliary inlet, adjustable gasketed face plate, universal floor mounted foot supports, corrosion resistant adjustable ABS coupling with integral test cap, fixture bolts, trim, and stud protectors. Rear anchor tie down and bonded "Neo-Seal" gasket.

PRODUCT

- _____ ZE-1203-NR4 4[102] No-Hub Right Hand Inlet with Flow to Right
- _____ ZE-1203-NL4 4[102] No-Hub Left Hand Inlet with Flow to Left

PREFIXES

- _____ ZE- D.C.C.I. System with Elongated Fitting*
- _____ ZQ- D.C.C.I. System with Non-Adjustable Coupling
- _____ ZE-Q- D.C.C.I. System with Non-Adjustable Coupling and Elongated Fitting

SUFFIXES

- | | | | |
|-----------|---|-----------|---|
| _____ -A | Auxiliary Support Assembly
(For P-Dim. greater than 18[457]) | _____ -VP | Vandal Proof Trim |
| _____ -B | Blowout Type Fixture Support | _____ -W | Adapter for Womens Urinal |
| _____ -BC | Back Cleanout | _____ -29 | Mechanical Test Cap Assembly
(Previously Z-1210-29) |
| _____ -CC | Cast Iron Coupling 6[152] Long | _____ -45 | Finishing Frame for Siphon Jet System
(For Blowout System specify -45-B)
(Previously Z-1210-45) |
| _____ -CL | Coupling Length Greater than 12[305]
(Specify length if greater than 6[152]) | _____ -50 | Flush Valve Supply Support for W.C.
(Previously Z-1210-50) |
| _____ -F | Floor Mounted Back Outlet, Fixture Support | _____ -61 | "ZZ" Coupling Wrench |
| _____ -G | Galvanized Cast Iron | | |
| _____ -M | Auxiliary Foot Support (For P-Dim. 10[254]-18[457]) | | |
| _____ -T | Threaded Stack Connection
(Available on Restricted Basis Only) | | |

*REGULARLY FURNISHED UNLESS OTHERWISE SPECIFIED

REV. A DATE: 12/12/97 C.N. NO. 79361

DWG. NO. P-14302 PRODUCT NO. ZE-1203-91

ZURN INDUSTRIES, INC. ♦ SPECIFICATION DRAINAGE OPERATION ♦ 1801 Pittsburgh Ave. ♦ Erie, PA 16514

Phone: 814/455-0921 ♦ Fax: 814/454-7929 ♦ World Wide Web: www.zurn.com

In Canada: ZURN INDUSTRIES LIMITED ♦ 3544 Nashua Drive ♦ Mississauga, Ontario L4V1L2 ♦ Phone: 905/405-8272 Fax: 905/405-1292